

# MhouseKit WG2

CE

English

For the automation of swing gates.



**Installation instructions and warnings**

## Information

This manual may be reproduced provided no part of it is omitted or modified. No part of this manual may be translated into other languages without the prior authorization and subsequent examination by MHOUSE

MHOUSE disclaims all responsibility for damage resulting from improper use of its products. You are therefore invited to read this manual carefully.

MHOUSE, in order to improve its products, reserves the right to modify them at any time without prior notice. In any case, the manufacturer guarantees their functionality and fitness for the intended purposes.

For any information please contact:



MHOUSE S.r.l.

via Pezza Alta, 13, Z.I. 31046 Oderzo

Tel: 0422 202109

Fax: 0422 852582

email: info@mhouse.biz

http: www.mhouse.biz.

WG2 is produced by NICE S.p.a. (TV) I, MHOUSE S.r.l. is an affiliate of the Nice S.p.a group.

## Contents

<b>1 Warnings</b>	<b>3</b>	<b>4 Maintenance</b>	<b>18</b>
<b>2 Product description</b>	<b>4</b>	4.1 Dismantling and Disposal	18
2.1 Applications	4	<b>5 Additional information</b>	<b>19</b>
2.2 Description of the automation	4	5.1 Advanced Adjustments	19
2.3 Description of Devices	5	5.1.1 Adjusting the Parameters with the Radio Transmitter	19
2.3.1 WG1 Electromechanical Gearmotors	5	5.1.2 Checking the Adjustments with the Radio Transmitter	20
2.3.2 Release keys	5	5.2 Optional Accessories	20
2.3.3 CL2 Control Unit	6	5.3 Adding or Removing Devices	20
2.3.4 PH1 Photocells	6	5.3.1 ECStBus	20
2.3.5 KS1 Key-Operated Selector Switch	6	5.3.2 STOP Input	20
2.3.6 FL1 Flashing Light with Incorporated Aerial	6	5.3.3 Recognition of Other Devices	21
2.3.7 TX4 Radio Transmitters	6	5.3.4 Addition of Optional Photocells	21
<b>3 Installation</b>	<b>7</b>	5.4 Memorization of Radio Transmitters	22
3.1 Preliminary checks	7	5.4.1 Memorization Mode 1	22
3.1.1 Operating Limits	8	5.4.2 Memorization Mode 2	22
3.1.2 Tools and Materials	8	5.4.3 "Remote" Memorization	22
3.1.3 List of Cables	8	5.4.4 Deleting a Radio Transmitter	23
3.2 Preparing the Electrical System	9	5.4.5 Deleting all the Radio Transmitters	23
3.2.1 Connection to the Electrical Mains	9	5.5 Troubleshooting	23
3.3 Installation of the Various Devices	9	5.6 Diagnostics and Signals	24
3.3.1 WG1 gearmotor mounting	9	5.6.1 Photocells	24
3.3.2 Photocells	11	5.6.2 Flashing light	24
3.3.3 KS1 Key-Operated Selector Switch	12	5.6.3 Control Unit	25
3.3.4 FLI Flashing Light	12	<b>6 Technical characteristics</b>	<b>26</b>
3.3.5 CL2 Control Unit	13	<b>7 Annexes</b>	<b>28</b>
3.4 Power Supply Connection	15	7.1 Annexe 1: CE Declaration of Conformity of WG2 Components	29
3.5 Initial checks	15	7.2 Annexe 2: CE Declaration of Conformity of Power Operated Gate	31
3.5.1 Recognition of Connected Devices	15	7.3 Annexe 3: Operating Guide	33
3.5.2 Recognition of Gate Leaves' Opening and Closing Angles	16	7.3.1 Safety regulations	33
3.5.3 Checking the Radio Transmitters	16	7.3.2 Gate Control	33
3.6 Regulations	16	7.3.3 Maintenance Operations to Be Performed by the User	34
3.6.1 Selecting the Speed of the Leaf	16	7.3.4 Replacing the Remote Control Battery	34
3.6.2 Selecting the Type of Operating Cycle	17		
3.7 Testing and commissioning	17		
3.7.1 Testing	17		
3.7.2 Commissioning	17		

# 1 Warnings

- If this is the first time that you install a WG2 gate automation system we recommend that you dedicate some of your time to reading this manual. You should read it before you start installing the system, so you don't have to rush to finish the work.

Keep all the components of the WG2 system handy so that you can read, check and verify all the information contained in this manual. However, do not carry out the adjustment and memorization stages otherwise, during the actual installation of the products, you will have to deal with settings that differ from the original factory ones.

- When reading this manual, pay special attention to the sections marked by the following symbol:



these sections are particularly important for safety.

- Store this manual safely for future use.
- This manual, as well as the design and manufacture of the devices that make up WG2, comply fully with the standards and regulations in force.
- Considering the hazards that may exist during the installation and operation of WG2, it is necessary that also the installation be carried out in strict compliance with current legislation, standards and regulations, particularly:
  - **This manual contains important information regarding personal safety; before you start installing the components, it is important that you read and understand all the information contained herein. Do not proceed with the installation if you have doubts of any sort; if necessary, refer to the MHOUSE customer service department for clarifications.**
  - **Before you start with the installation, make sure that each single WG2 device is suitable for the intended automation purposes; pay special attention to the data provided in chapter 6 "Technical Characteristics". If even a single device is not suitable for the intended application, do not proceed with the installation.**
  - **Before you start with the installation, check whether additional devices or materials are needed to complete the automation with WG2 based on the specific application requirements.**
  - **The WG2 automation system must not be used until the automation has been commissioned as described in paragraph 3.7.2 "Commissioning".**

- **The WG2 automation system cannot be considered as a suitable intrusion protection system. If you require efficient protection you need to integrate WG2 with other devices.**
- **The packing materials for WG2 must be disposed of in compliance with local regulations.**
- **Do not make modifications to any components unless provided for in this manual. This type of operations will only cause malfunctions. MHOUSE disclaims any liability for damage resulting from modified products.**
- **Do not immerse the automation parts in water or any other liquid. During installation, ensure that water does not leak into the control unit or other open devices.**
- **In the event that liquid substances have penetrated inside the automation devices, immediately disconnect the power supply and contact the MHOUSE customer service department. The use of WG2 in these conditions can be dangerous.**
- **Keep all components of WG2 away from heat sources and open flames; these could damage the components and cause malfunctions, fire or dangerous situations.**
- **During long periods of inactivity, the optional battery (PR1) should be removed and stored in a dry location to prevent leakage of noxious substances.**
- **Connect the control unit only to a power supply line equipped with safety grounding system.**
- **All operations requiring the opening of the protection shell of any WG2 device must be performed with the control unit disconnected from the power supply (and from the PR1 buffer battery, if featured); if the disconnection device is not identifiable, post the following sign on it: "WARNING: MAINTENANCE WORK IN PROGRESS".**
- **In the event that any automatic switches or fuses are tripped, you must identify the failure and eliminate it before you reset them.**
- **If a failure occurs that cannot be solved using the information provided in this manual, refer to the MHOUSE customer service department.**

## 2 Product description

### 2.1 Applications

WG2 is a set of components designed for the automation of single-leaf or double-leaf gates in residential applications.

**Any applications other than those described above or under different conditions from those specified in this manual are forbidden.**

WG2 operates with electric power. In the event of a power failure, the gearmotor can be released using suitable keys in order to move the gate manually. Alternatively, the PR1 buffer battery (optional accessory) can be used.

### 2.2 Description of the automation

The following example of a typical WG2 application will serve to clarify a few terms and aspects of a gate automation system:

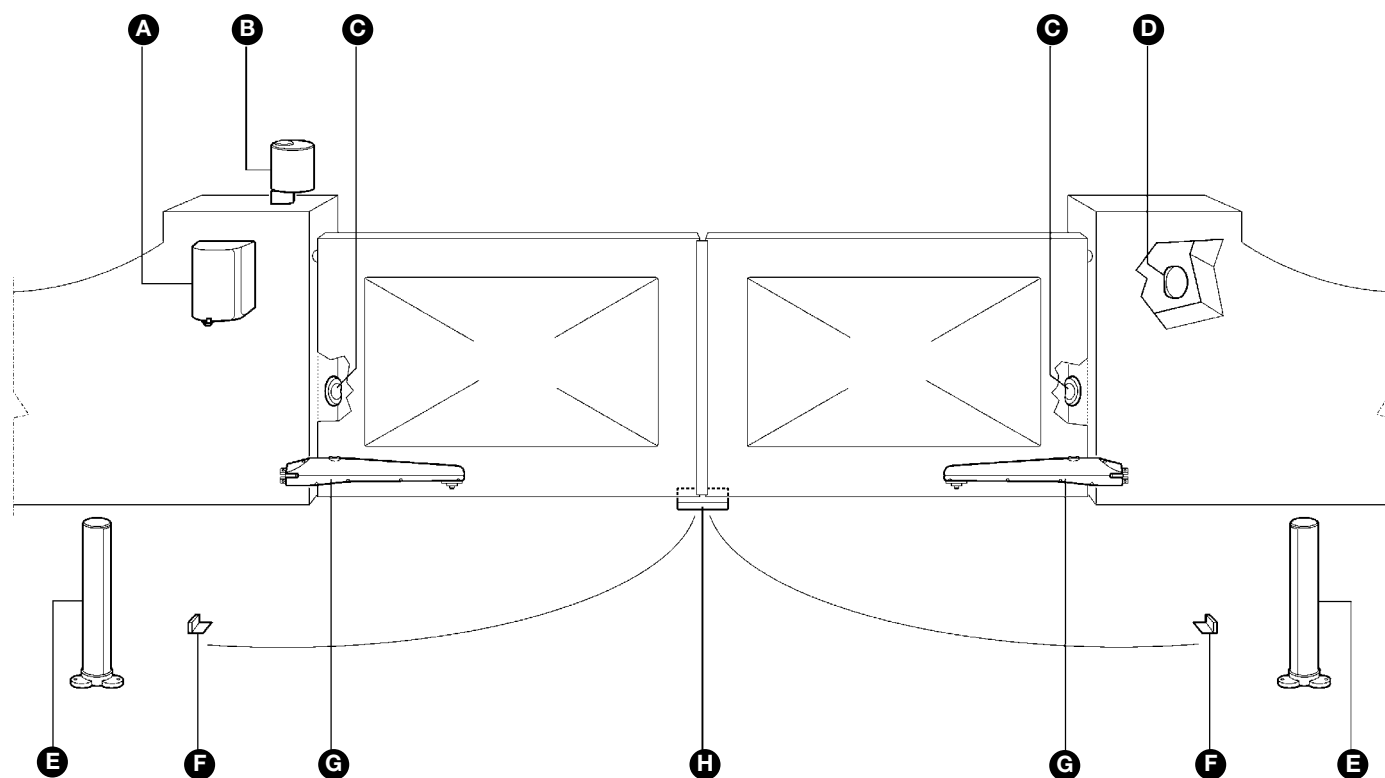


Figure 1

- A) CL2 control unit
- B) FL1 flashing light with incorporated aerial
- C) Pair of PH1 photocells
- D) KS1 key-operated selector switch
- E) Pair of PT50 posts for photocells (not included)
- F) Pair of opening stops (not included); the natural strike may be sufficient, otherwise the mechanical stops of the gearmotor can be used, see Figure 26
- G) WG1 gearmotors
- H) Closing stop (not included)

## 2.3 Description of Devices

WG2 consists of the devices shown in figure 2; make immediately sure that they correspond to the contents of the package and verify the integrity of the devices.

Note: to adapt WG2 to local regulations, the contents of the package may vary; an exact list of the contents is shown on the outside of the package under the "Mhousekit WG2 contains" heading.

- A) 2 WG1 electromechanical gearmotors complete with mounting brackets(\*)
- B) 3 release keys.
- C) 1 pair of PH1 photocells (consisting of a TX and an RX).
- D) 2 TX4 radio transmitters.
- E) 11 KS1 key-operated selector switch and two keys.
- F) 1 FL1 flashing light with incorporated aerial.
- G) 1 CL2 control unit.
- H) Miscellaneous small parts: screws, screw anchors, etc., see tables 1, 2, 3, 4 and 5 (\*).

(\*) the screws needed to secure the front and rear brackets are not supplied because their type depends on the material and thickness of the gate.

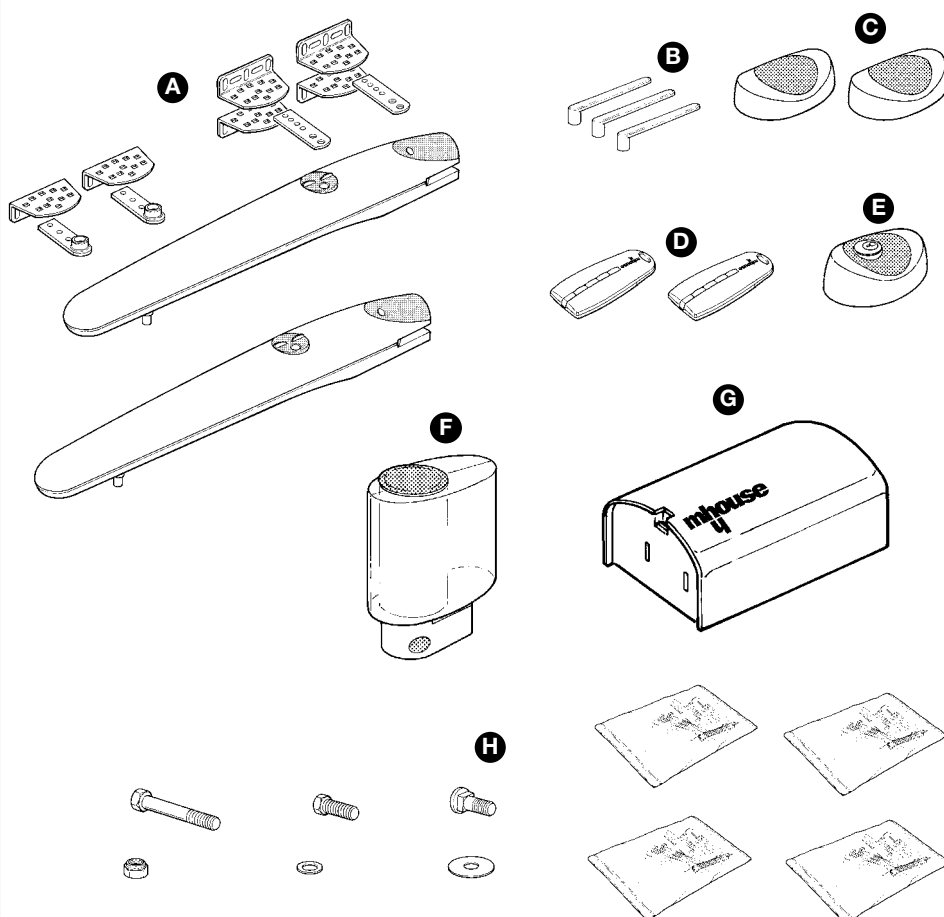


Figure 2

### 2.3.1 WG1 Electromechanical Gearmotors

WG1 is an electromechanical gearmotor consisting of a worm screw reduction gear and a 24V direct current motor. It features a key-operated mechanical release mechanism that allows you to move the gate manually in the event of a power failure.

The gearmotor is fitted with three mounting brackets (one at the front and two at the rear) and two adjustable stops (small plates that can be loosened and adjusted on the teeth to limit the opening and closing stroke) that offer trouble-free installation in all conditions.

Table 1: list of small parts for two WG1 units	Q.ty
M10 self-locking nuts	2 pcs.
M8 self-locking nuts	8 pcs.
Front plates	2 pcs.
Rear plates	2 pcs.
Mounting brackets	6 pcs.
10x40 hex-head screws	2 pcs.
8x10 hex-head screws	2 pcs.
8x35 carriage screws	8 pcs.
8x24 flat washers	2 pcs.
8x16 flat washers	8 pcs.

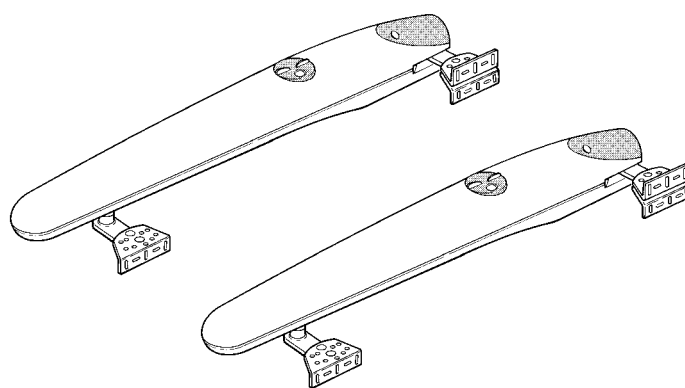


Figure 3

### 2.3.2 Release keys

The three keys enable the gearmotor to be released in the event of a power failure.

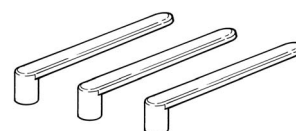


Figure 4

### 2.3.3 CL2 Control Unit

The CL2 unit actuates the gearmotors and provides for the control and supply of the different components; it features an electronic board with incorporated radio receiver; a housing [B] for the PR1 buffer battery (optional), which is necessary for operation in case of power failure.

The CL2 control unit can actuate the gearmotors with two speeds: "slow" and "fast".

The three P1, P2 and P3 buttons [C] and the corresponding LED's are used to program the control unit.

To facilitate the electrical connections there are separate terminals for each device [A], which are removable and colour-coded based on the function performed. Next to each input terminal there is a LED that signals its status.

The connection to the power supply is very easy: just insert the plug in a power outlet.

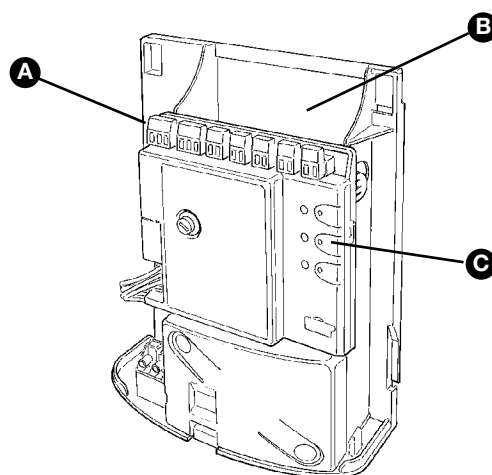


Figure 5

Table 2: List of small parts for CL2	Q.ty
4.2X32 self-tapping screw	4 pcs.
s 6 c nylon screw anchor	4 pcs.

### 2.3.4 PH1 Photocells

The pair of PH1 wall-mounted photocells, once they are connected to the control unit, enable the detection of obstacles found on the optical axis between the transmitter (TX) and the receiver (RX).

Table 3: List of small parts for PH1	Q.ty
3.5X25 self-tapping screw	4 pcs.
4.2X32 self-tapping screw	4 pcs.
s 5 c nylon screw anchor	4 pcs.

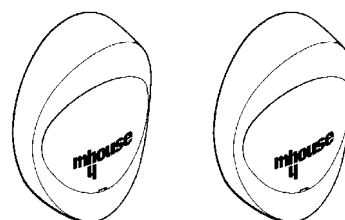


Figure 6

### 2.3.5 KS1 Key-Operated Selector Switch

The KS1 key-operated two-position selector switch enables gate control without using the radio transmitter. It is equipped with internal light for locating in the dark.

There are two commands, which depend on the direction of rotation of the key: "OPEN" and "STOP"; then the key, which is spring loaded, returns to the centre position.

Table 4: List of small parts for KS1	Q.ty
HI LO 4X9.5 screw	2 pcs.
3.5X25 self-tapping screw	4 pcs.
s 5 c nylon screw anchor	4 pcs.

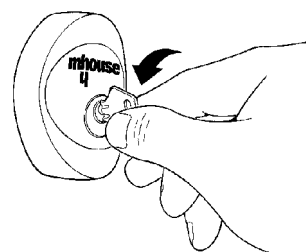


Figure 7

### 2.3.6 FL1 Flashing Light with Incorporated Aerial

The flashing light is controlled by the CL2 control unit and signals danger when the gate is moving. Inside the flashing light there is also the aerial for the radio receiver.

Table 5: List of small parts for FL1	Q.ty
4.2X32 self-tapping screw	4 pcs.
s 6 c nylon screw anchor	4 pcs.

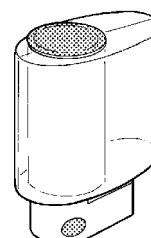


Figure 8

### 2.3.7 TX4 Radio Transmitters

The radio transmitters are used for the remote control of the gate opening and closing manoeuvres. They feature four buttons that can all be used for the 4 types of command to a single automation unit, or to control up to 4 different automation units.

The transmission of the command is confirmed by the LED [A]; an eyelet [B] allows them to be hung on a keyring.

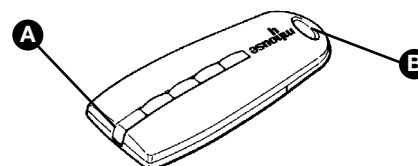


Figure 9

# 3 Installation

The installation must be carried out by qualified and skilled personnel in compliance with the directions provided in chapter 1 "WARNINGS".



## 3.1 Preliminary checks

WG2 must not be used to power a gate that is not efficient and safe. It cannot solve defects resulting from incorrect installation or poor maintenance of the gate.

Before proceeding with the installation you must:

- Make sure that the weight and dimensions of the gate fall within the specified operating limits. If they do not, WG2 cannot be used.
- Make sure that the structure of the gate is suitable for automation and in compliance with regulations in force.
- Make sure that there are no points of greater friction in the opening or closing travel of the gate leaves.
- Make sure that the gate is well balanced: it must not move by itself when it is placed in any position.
- Make sure that the mounting positions of the various devices are protected from impacts and that the surfaces are sufficiently sturdy.
- Make sure that the mounting surfaces of the photocells are flat and that they enable the proper alignment between TX and RX.
- Check the size limits referring to Figure 10.

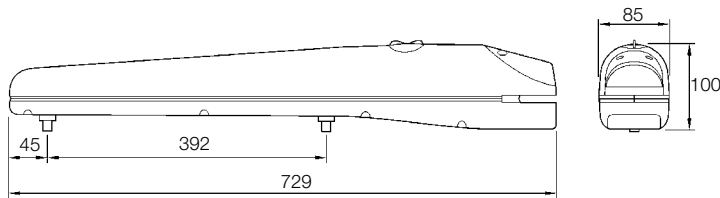
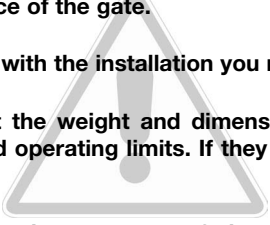


Figure 10

- Make sure there is enough space even when the gate is open.

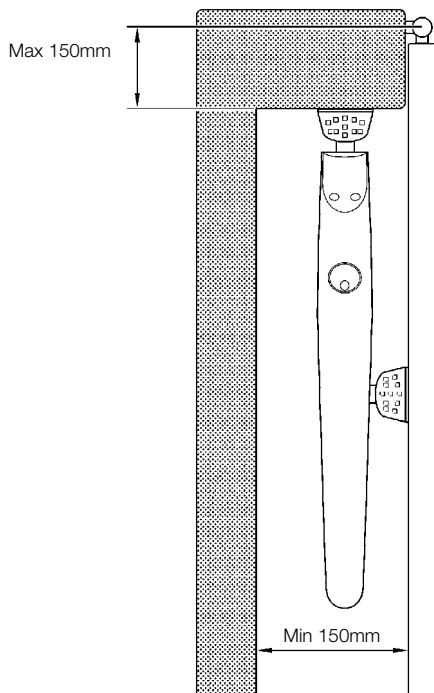


Figure 11

- Using the leaf opening angle as a guideline, check that the values in Table 6 can be met.

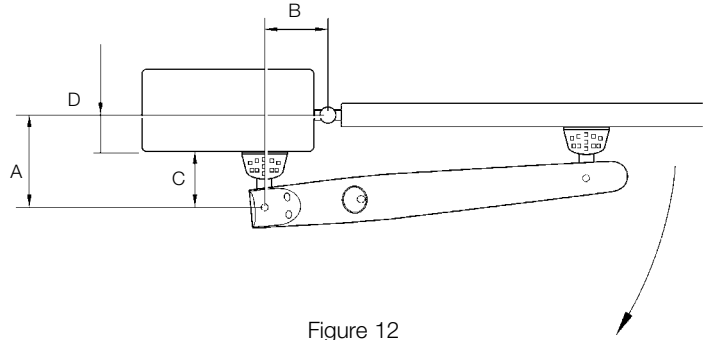
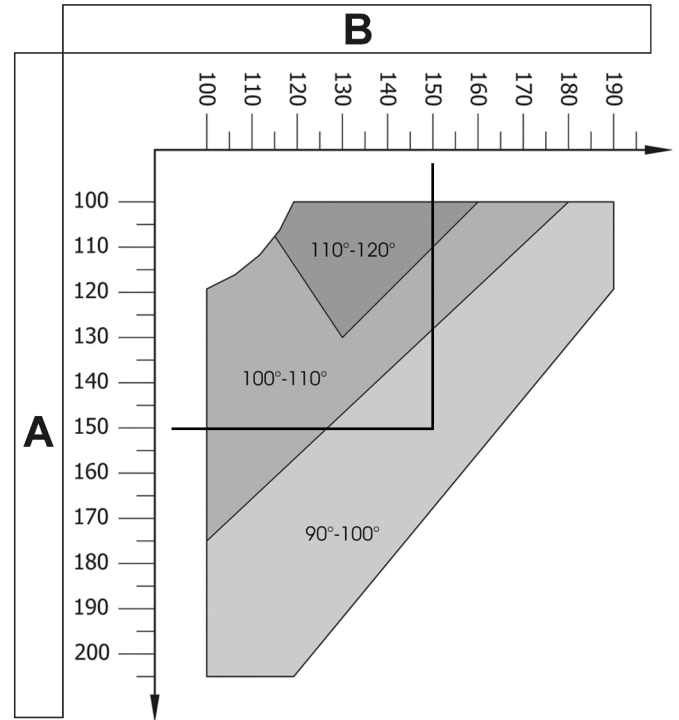


Figure 12

Table 6



- "C" depends on how the rear bracket is mounted (see Figure 17) and may vary from 53 mm to 176 mm. It is normally about 150mm.
- "D" is easy to measure on the gate.
- "A" is the sum of "C" and "D".
- The value of "B" can be calculated from the value of "A" and the opening angle of the leaves. For example: if "A" is 150mm and the opening angle of the leaves is 100°, the value of "B" is about 150mm.

Make sure that "B" is equal or similar to "A". This ensures the leaf moves smoothly, thereby reducing the strain on the gearmotor.





## 3.2 Preparing the Electrical System

With the exception of the power line that supplies the control unit, the rest of the system uses extra-low voltage (approx. 24V); the wiring can therefore be done by personnel that is not properly qualified, provided that all the instructions in this manual are carefully observed.

After selecting the position of the various devices (refer to figure 1) you

can start preparing the conduits for the electrical cables connecting the devices to the control unit.

The conduits are designed to protect the electrical cables and prevent accidental breakage, which may be caused by the passage of vehicles, for instance.

### 3.2.1 Connection to the Electrical Mains

Although the connection of WG2 to the electrical mains is beyond the scope of this manual, we wish to remind you that:

- **The power supply line must be laid and connected by a qualified professional electrician.**
- **Alternatively, have a suitably protected 16A "shuko" outlet installed, where you can plug in WG2.**

- **The power supply line must be protected from short circuits and ground leakage; a device must be provided to enable the disconnection of the power supply during the installation and maintenance of WG2 (the plug with outlet are suitable for this purpose).**

## 3.3 Installation of the Various Devices

### 3.3.1 WG1 gearmotor mounting

1 Choose the mounting position in accordance with the specifications in paragraph 3.1 "Preliminary Checks".

2 Check that the mounting surface is perfectly smooth, vertical and sufficiently compact. WG1 does not come with a mounting system, consequently one will have to be chosen according to the surface material.

3 Lay the conduit for the power cable.

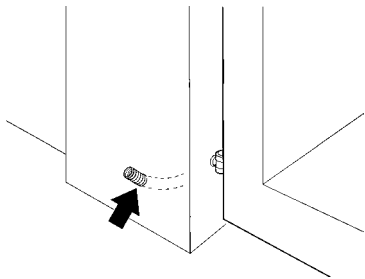


Figure 15

4 To obtain the rear supports, assemble two brackets and the rear plate as shown in Figure 16.

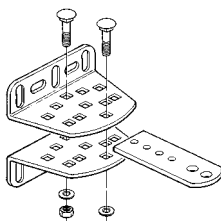


Figure 16

5 To obtain different "C" values (see Figure 12) assemble the brackets and plate as shown in Figure 17.

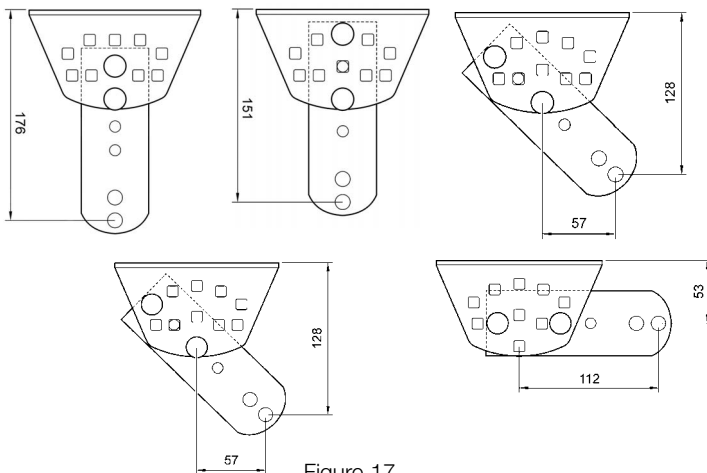


Figure 17

6 To obtain the front support, assemble one bracket and the front plate as shown in Figure 18.

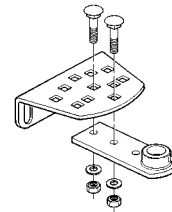


Figure 18

7 Loosen the two screws and remove the back cover of the gearmotors.

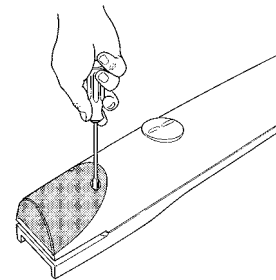


Figure 19

8 Move the leaves to the "gate closed" position.

9 Referring to the "B" distance calculated from Table 6, place the rear support in the correct position on the mounting surface. Check that there is a suitable surface at the values in Figure 22, i.e. where the front support is mounted.

10 Mark the drill points for the rear support using the support itself as a reference point. Drill holes in the mounting surface for 4 anchors [A] with a diameter of at least 8 mm (not included in supply). Fix the plate with suitable screws [C] and washers [B].

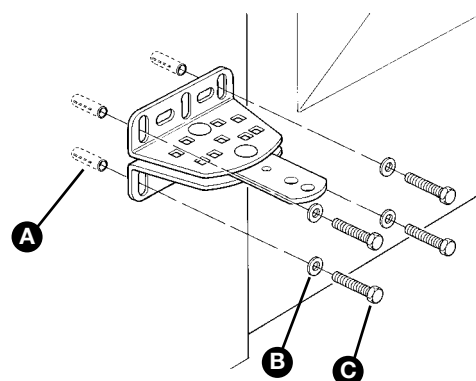


Figure 20

11 Check that the plate is perfectly level, the slots on the bracket allow small differences in alignment to be corrected.

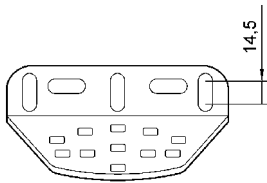


Figure 21

12 Referring to Figure 22, place the front support at a distance of 660 mm from the rear support and 60 mm lower.

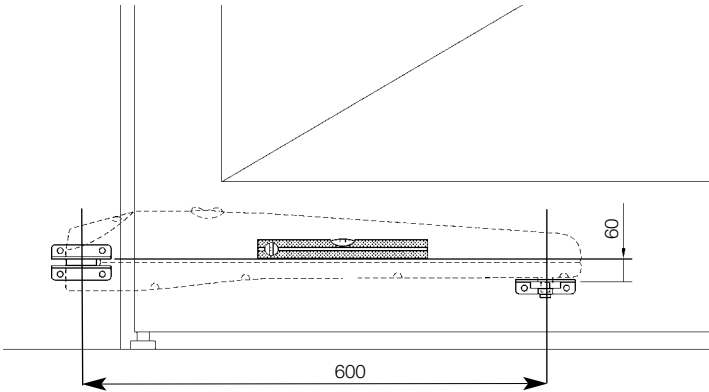


Figure 22

13 Temporarily fix the front support to the leaf with a clamp.

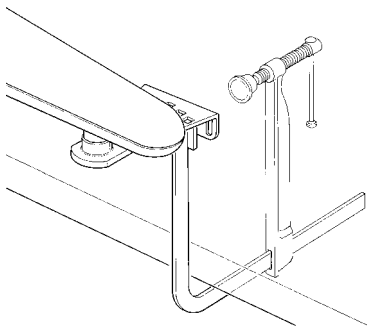


Figure 23

14 Lift up the gearmotor and fit the fork into the hole in the front support.

15 Keep the gearmotor lifted and pull it to open the gate until the hole in the plate matches the hole in the gearmotor. Fix the gearmotor to the rear support [E] with the screw [D], nut [G] and washer [F].

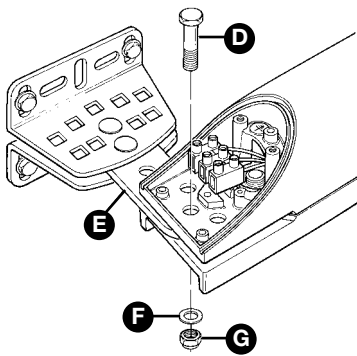


Figure 24

16 Firmly tighten the nut and then loosen it by about half a turn in order to allow the gearmotor to rotate on the support.

17 Fix the gearmotor to the front support and anchor it with the screw [I] and washer [H]. Fully tighten the screw.

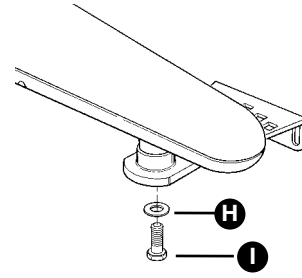


Figure 25

18 Release the gearmotors using the appropriate release keys (see the "Gearmotor Release" paragraph on page 34).

19 Test the mechanism by moving the gate by hand. Check that the fork slides perfectly on the worm screw of the gear motor and that there remains a margin of at least 5 mm from the opening and closing stops, making sure, however, that not too much of the worm screw remains unused.

20 If necessary, test the other assembly positions allowed by the front and rear plates. See Figure 17.

21 If necessary, adjust the stops by loosening them with Allen keys [N] and moving them to the required position. The opening stop [L] is used if there are no opening stops on the ground. Normally, the leaves stop against the closing stop during the closing manoeuvre; the closing stop [M] can be used to reduce the thrust of the gearmotor. After adjusting the stops, fully tighten the screws.

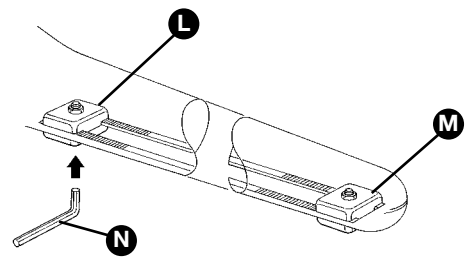


Figure 26

22 Secure the front support permanently using screws suited to the material of which the gate is constructed.

23 Fix the gearmotor once more using the appropriate release keys (see the "Gearmotor release" paragraph on page 34).

24 Thread the electrical cable through the conduit and bring it to the control unit.

N.B.: the cable leaving the gear motor must be curved so that it can follow the gearmotor when it rotates to open and close the leaf.

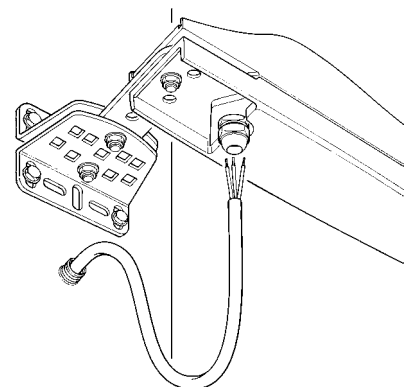


Figure 27

25 Loosen the cable clamp under the gearmotor, push the power cable through and then firmly close the cable clamp.

26 Make electrical connections as follows.

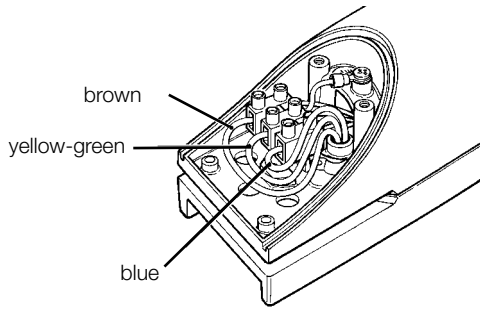


Figure 28

27 Close the gearmotor cover by tightening the two screws.

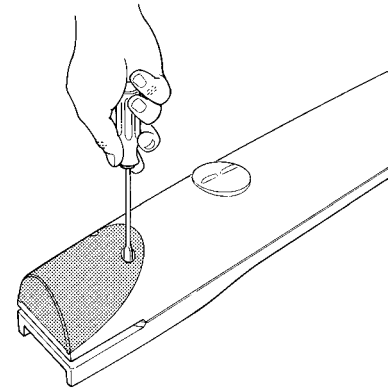


Figure 29

### 3.3.2 Photocells

1 Select the position of the two elements that make up the photocell (TX and RX) observing the following directions:

- Position them at a height of 40-60 cm from the ground, on both sides of the area to be protected, on the street side of the installation and as close as possible to the edge of the gate, no farther than 15 cm.
- Point transmitter TX towards receiver RX, with a maximum tolerance of 5°.
- In the selected locations there must be a conduit for threading the cables.

2 Remove the front glass [A] by prising it out with a slotted tip screwdriver applied to the bottom.

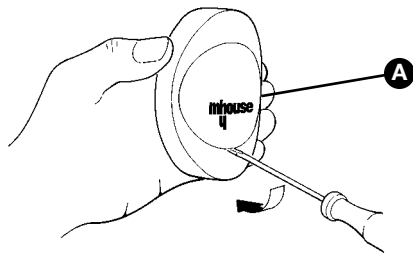


Figure 30

3 Press the lens in order to separate the two shells.

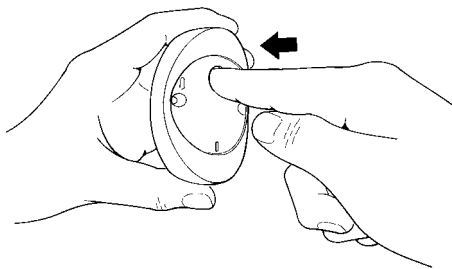


Figure 31

4 Breach two of the four holes [B] at the bottom with a screwdriver.

5 Position the photocell at the point where the conduit arrives; the hole at the bottom [D] should match the point where the cables come out of the wall; mark the drilling points using the bottom as reference.

6 Drill the holes in the wall using a hammer drill with a 5 mm bit and insert the 5 mm screw anchors.

7 Secure the bottom with the screws [C].

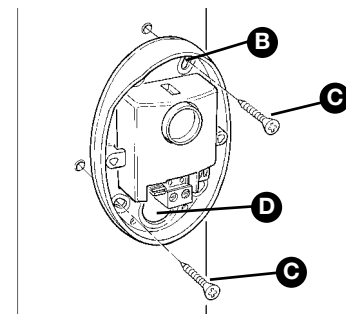


Figure 32

8 Connect the electric cable to the appropriate TX and RX terminals. From an electrical viewpoint, TX and RX must be connected in parallel as shown in Figure 33. It is not necessary to observe any polarity. The terminals can be removed in order to facilitate the operations; make the connections and then reinsert them.

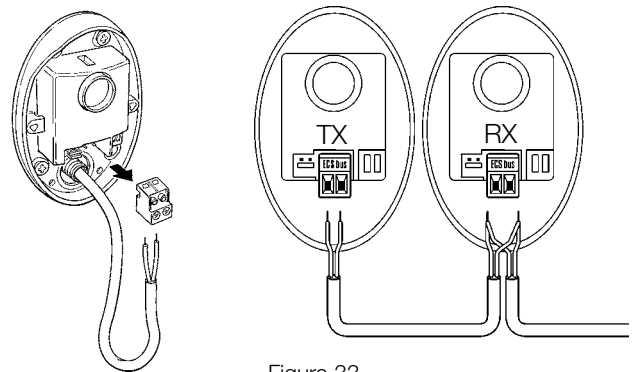


Figure 33

9 Secure the cover shell [E] using the two screws [F] and a Phillips screwdriver. Then insert the glass [G], pressing it gently to close it.

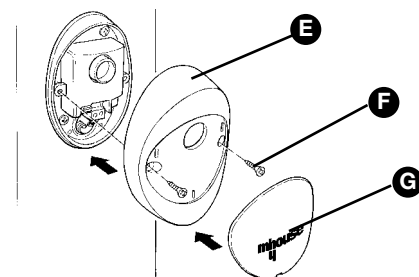


Figure 34

### 3.3.3 KS1 Key-Operated Selector Switch

1 Determine the position of the selector switch; it must be installed outdoors, alongside the gate and at a height of approx. 80 cm, so that it can be used by people of different height.

2 Remove the front glass [A] by prising it out with a slotted tip screwdriver applied to the bottom.

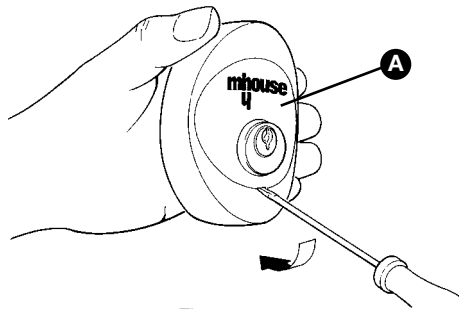


Figure 35

3 To separate the bottom from the shell you need to insert the key and keep it turned, then pull with a finger inserted in the hole for the passage of the cables.

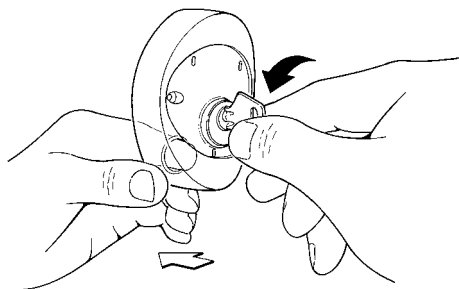


Figure 36

4 Breach the four holes at the bottom with a screwdriver; mark the drilling points using the bottom as reference; make sure that the hole in the bottom matches the outlet for the cables.

5 Drill the holes in the wall using a hammer drill with a 5 mm bit and insert the 5 mm screw anchors

6 Secure the bottom using the four screws [B].

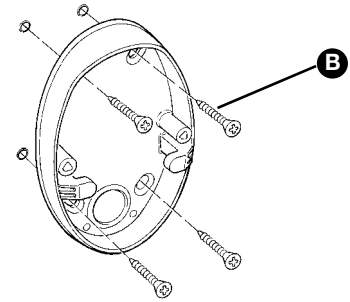


Figure 37

7 Connect the electric cables to the appropriate OPEN and STOP terminals, as shown in figure 38. It is not necessary to observe any polarity. The terminals can be removed in order to facilitate the operations; make the connections and then reinsert them.

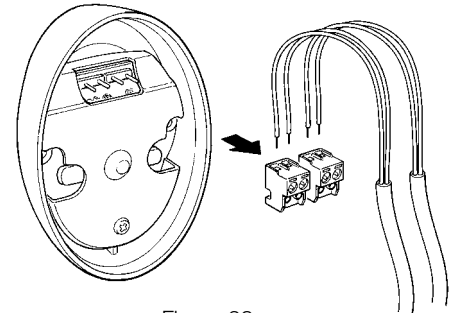


Figure 38

8 To insert the shell on the bottom you need to turn the key. After you have inserted it, turn the key back to the centre position.

9 Secure the body [C] using the two screws [D] and a Phillips screwdriver. Finally insert the glass [E], pressing it gently to close it.

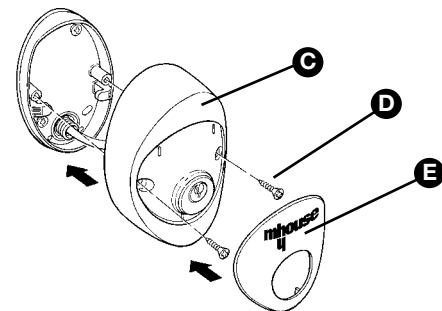


Figure 39

### 3.3.4 FLI Flashing Light

1 Determine the position of the flashing light: it should be near the gate and easy to see; it can be secured to a horizontal as well as vertical surface.

2 Slide out the diffuser [A] from the bottom by pressing the two buttons [B].

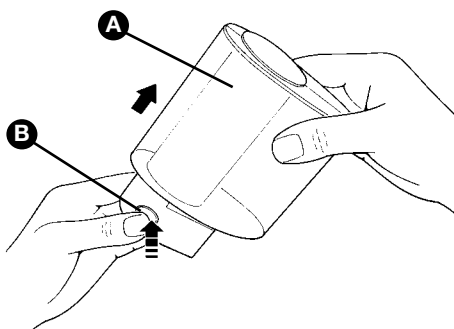


Figure 40

3 Separate the lamp holder with the aerial from the base.

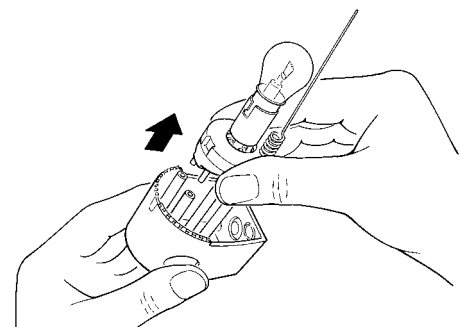


Figure 41

4 Breach the four holes for the screws and the hole for the passage of the cables in the bottom or side, depending on the installation position, using a screwdriver.

5 Mark the drilling points using the bottom as reference and make sure that the hole in the bottom matches the outlet for the cables.

6 Drill the holes in the wall using a hammer drill with a 6 mm bit and insert the 6 mm screw anchors

7 Secure the bottom with the screws [C].

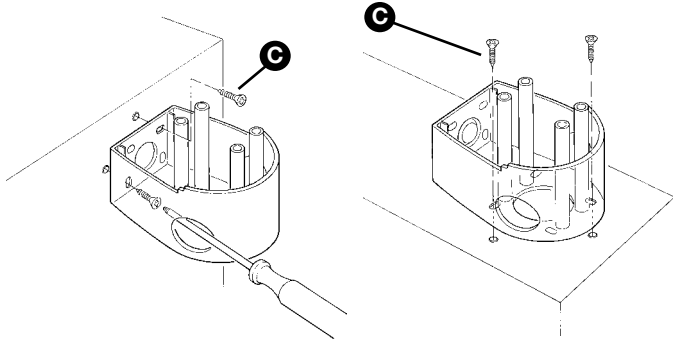


Figure 42

8 Connect the electrical cables to the appropriate FLASH and "aerial" terminals as shown in figure 43. You do not need to observe any polarity on the FLASH terminal; however, for the connection of the shielded cable to the aerial, connect the braid as shown in figure 44. The terminals can be removed in order to facilitate the operations; make the connections and then reinsert them.

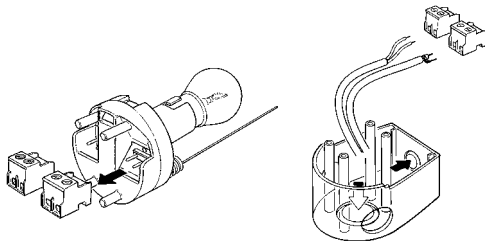


Figure 43



Figure 44

9 Fit the lamp holder on the base and press it down until it snaps into position.

10 Slide in the diffuser, pressing the buttons and fitting it on the bottom. Rotate it in the desired direction then press it down until the two buttons snap into their seat.

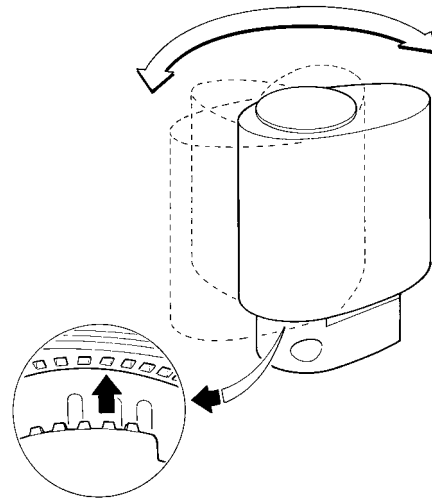


Figure 45

### 3.3.5 CL2 Control Unit

1 Select the installation position in a location protected from possible impacts and near the gate so that the length of the cables can be reduced.

2 Remove the cover by prising it open with a screwdriver applied to the bottom opening, slide it out a few centimetres and then lift it from the bottom .

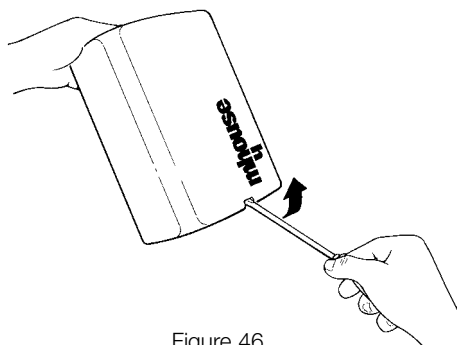


Figure 46

3 Arrange the conduit for the electric cables so that they can be let in through the bottom of the control unit as shown in figure 46.

4 Drill a hole through the bottom of the control unit and use suitable unions to fasten the conduits for the electric cables.

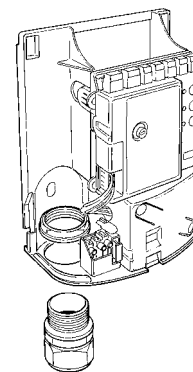


Figure 47

5 Breach the two bottom holes using a screwdriver, then mark the drilling points using the bottom as reference.

6 Drill the holes in the wall using a hammer drill with a 6 mm bit and insert the 6 mm screw anchors

7 Secure the bottom with the appropriate screws [A].

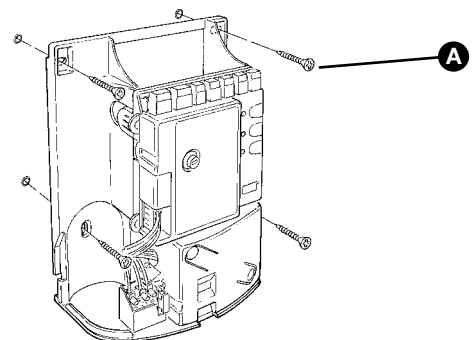


Figure 48

8 Refer to figure 49 for the electrical extra low voltage connection of the various devices to the CL2 control unit terminals.

- The terminals have the same colour coding as the corresponding devices; for example, the grey terminal (OPEN) of the KS1 selector switch must be connected to the grey terminal (OPEN) of the control unit.

- For most connections you do not need to observe any polarity; only for the shielded cable of the aerial it is necessary to connect the central core and the shield as shown in detail [B]. The cable for the motors must be connected as shown in detail [A].

- Keep in mind that, to prevent the jamming of the two leaves, the control unit commands the M2 motor to open first, followed by M1 (vice-versa for the closing manoeuvre). Therefore make sure that the motor that drives the leaf that strikes the mechanical stop is connected to terminal M1 (outer one), while the motor that drives the other leaf must be connected to terminal M2.

- If only one motor is used (single-leaf gate) it must be connected to terminal M2 while terminal M1 remains free.

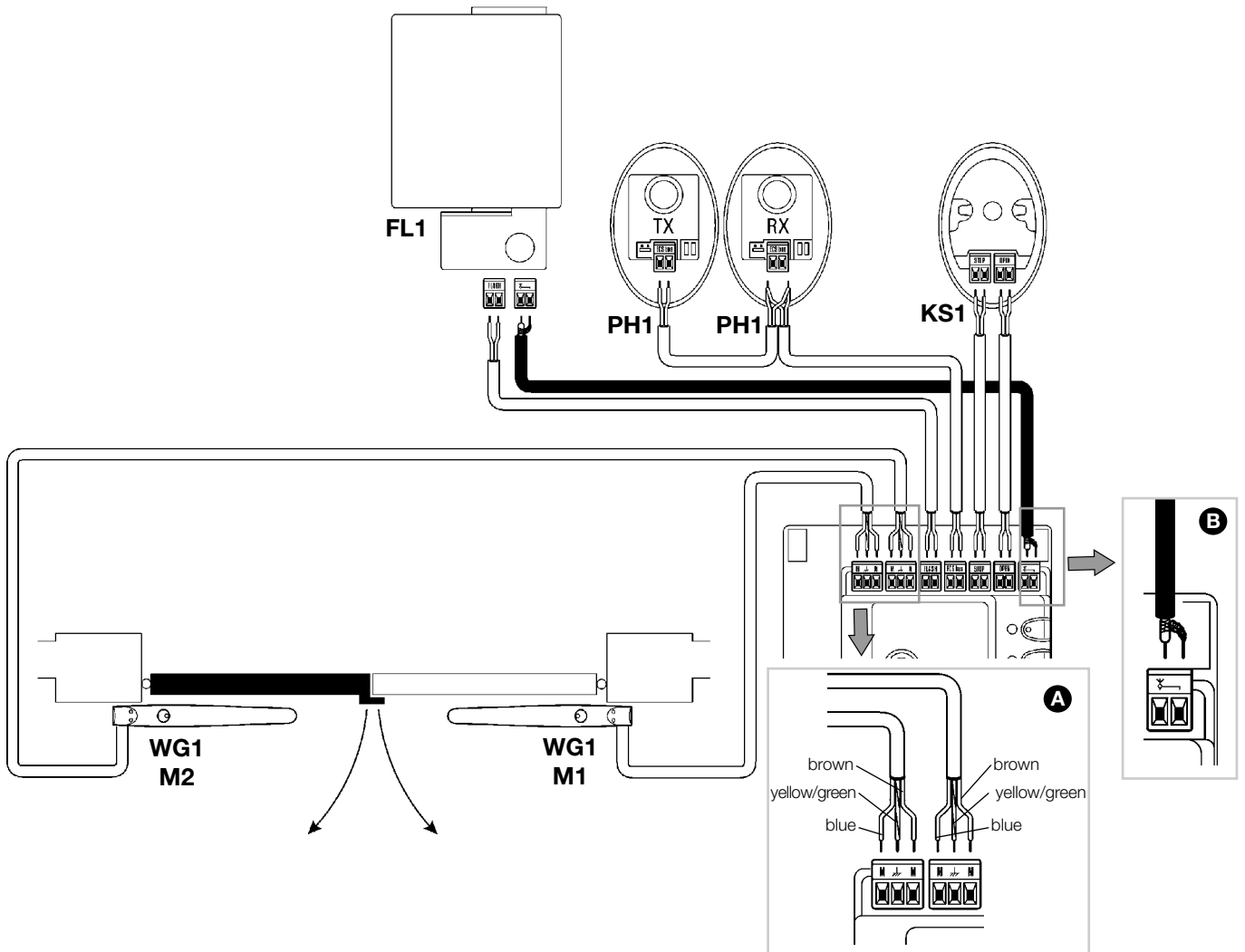


Figure 49

To facilitate the installation operations, the terminals [B] can be removed as shown in figure 49; make the connections and then re-insert them.

When you have completed the connections, use clamps to secure the cables to the appropriate fasteners [C].

9 To close the control unit you need to rest the cover on the bottom approximately 3 cm above the final position, then press it down until it snaps into place.

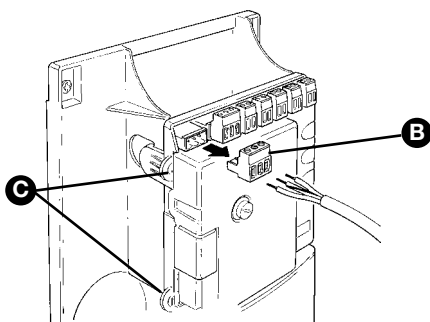


Figure 50

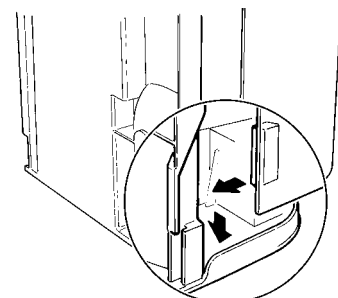


Figure 51

## 3.4 Power Supply Connection

The connection of the CL2 control unit to the mains must be made by a qualified electrician. 

To carry out tests, insert the plug for CL2 in a power outlet; if necessary, use an extension cord.

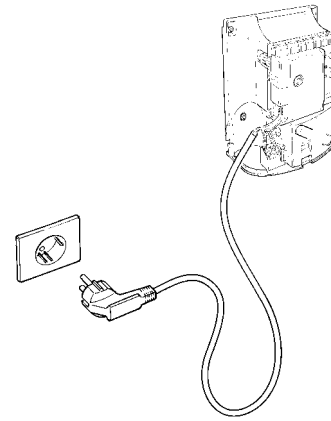


Figure 52

## 3.5 Initial checks

As soon as the CL2 control unit is energized, you should check the following:

1 Make sure that the "ECSBus" LED [A] flashes regularly, with about one flash per second.

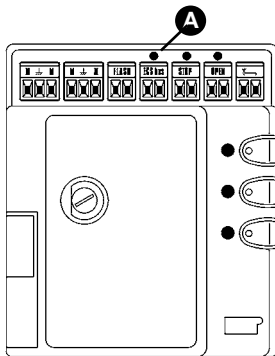


Figure 53

2 Make sure that the SAFE LED [B] on the photocells flashes (both on TX and RX); the type of flashing is not important as it depends on other factors; what is important is that the LED should not be steadily on or steadily off.

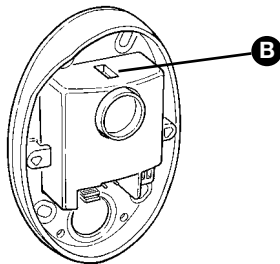


Figure 54

3 Make sure that the night light [C] on the KS1 key-operated selector switch is on.

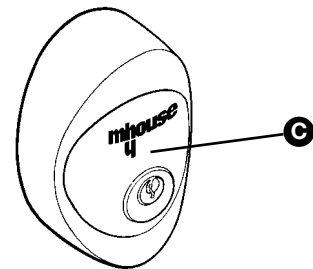


Figure 55

4 If the above conditions are not satisfied, you should immediately switch off the power supply to the CL2 control unit and check the cable connections more carefully. For more useful information see also chapters 5.5 "Troubleshooting" and 5.6 "Diagnostics and Signals".

### 3.5.1 Recognition of Connected Devices

When you have completed the initial checks, the control unit must recognize the devices connected to it on the "ECSBus" and "STOP" terminals.

1 On the control unit, press the P2 button [C] and hold it down for at least three seconds, then release the button.

2 Wait a few seconds for the control unit to finish recognizing the devices.

3 When the learning procedure is completed, the STOP LED [A] must remain on, while the P2 LED [B] must go off. If the P2 LED flashes it means that an error has occurred: see paragraph 5.5 "Troubleshooting".

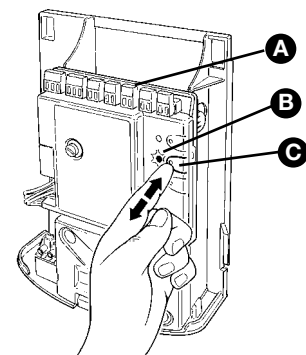


Figure 56

The connected devices recognition stage can be repeated again at any time, even after the installation (for example, if an additional photocell is installed); just repeat the procedure starting from step 1.

### 3.5.2 Recognition of Gate Leaves' Opening and Closing Angles

After recognizing the devices, the control unit must learn to recognize the leaves' opening and closing angles .

During this stage, the leaves' opening angle is measured from the closing mechanical stop to the opening mechanical stop.

Fixed and sufficiently sturdy mechanical stops are required.

1 Release the motors using the appropriate keys (see the "Gearmotor Release" paragraph on page 34) and move the leaves to mid travel so that they are free to move in both opening and closing directions; then lock the motors.

2 On the control unit press the P3 button [B] and hold it down for at least three seconds, then release the button.

Wait for the control unit to complete the recognition stage: closing of the M1 motor to the mechanical stop, closing of the M2 motor to the mechanical stop, opening of the M2 and M1 motors to the opening mechanical stop; complete closing of M1 and M2.

- If the first manoeuvre of one or both leaves is not to close, press P3 to interrupt the recognition stage, then switch the polarity of the motor/s that opened by exchanging the two brown and blue wires on the terminal.

- If the first motor to move in the closing direction is not M1, press P3 to interrupt the recognition stage, then switch the motor connections on the terminals.

- If any device is triggered during the recognition stage (photocells, key-operated selector switch, pressure on P3, etc.), the recognition stage will immediately be interrupted. It will therefore be necessary to start again from the beginning.

3 If at the conclusion of the search the P3 LED [A] flashes, it means that an error has occurred; see paragraph 5.5 "Troubleshooting".

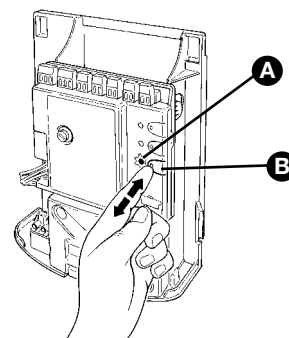


Figure 57

The opening angles recognition stage can be repeated again at any time, even after the installation (for example, if one of the opening stops is moved); just repeat the procedure starting from step 1.

### 3.5.3 Checking the Radio Transmitters

To check the transmitters just press one of the four buttons, make sure that the red LED flashes and that the automation executes the command.

The command associated to each button depends on how they have been memorized (see paragraph 5.4 "Memorization of Radio Transmitters"). The transmitters supplied have already been memorized and when you press the buttons the following commands are transmitted:

Button T1	"OPEN" command
Button T2	"Open pedestrian gate" command
Button T3	"Open only" command
Button T4	"Close only" command

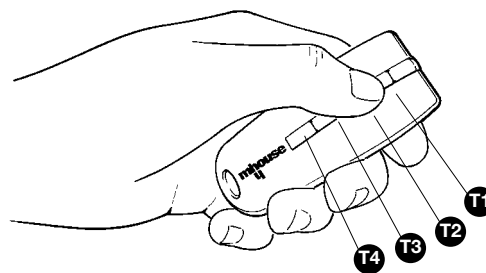


Figure 58

## 3.6 Regulations

### 3.6.1 Selecting the Speed of the Leaf

The leaves can be opened and closed at two speeds: "slow" or "fast".

To switch from one speed to the other press the P2 button [B] momentarily; the corresponding P2 LED [A] will light up or go off; if the LED is off the speed is "slow", if the LED is on the speed is "fast".

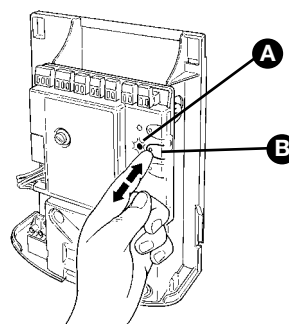


Figure 59



### 3.6.2 Selecting the Type of Operating Cycle

The opening and closing of the gate can take place according to different operating cycles:

- Single cycle (semiautomatic): the gate opens with a command and stays open until the next command is given, causing it to close.
- Complete cycle (automatic closing): the gate opens with a command and then closes automatically after a short time (for the time, see paragraph 5.1.1 "Adjusting the Parameters with the Radio Transmitter").

To switch from one operating cycle to the other, press the P3 button [B] momentarily; the corresponding LED [A] will light up or go off; if the LED is off the cycle is "single", if the LED is on the cycle is "complete".

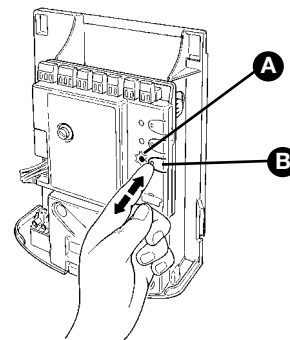


Figure 60

## 3.7 Testing and commissioning

These are the most important operations, designed to guarantee the maximum safety and reliability of the automation system.

The testing procedure can also be used as a periodic check of the devices that make up the automation.

**The testing and commissioning operations must be performed by qualified and experienced personnel who must establish what tests should be conducted based on the risks involved, and verify the compliance of the system with applicable regulations, legislation and standards, in particular with all the provisions of EN 12445 standard which establishes the test methods for gate automation systems.**

### 3.7.1 Testing

**1 Make sure that the provisions contained in chapter 1 "WARNINGS" have been carefully observed.**

2 Using the selector switch or the radio transmitter, test the opening and closing of the gate and make sure that the leaves move in the intended direction.

The test should be carried out a number of times to make sure that the gate moves smoothly, that there are no points of excessive friction and that there are no defects in the assembly or adjustments.

3 Check the proper operation of all the safety devices, one by one (photocells, sensitive edges, etc.). In particular, each time a device is activated the "ECSBus" LED on the control unit flashes for a longer time, confirming that the control unit recognizes the event.

4 To check the photocells and make sure that there is no interference with other devices, pass a 5 cm diameter, 30 cm long cylinder on the optical axis, first near TX, then near RX and finally at the mid-point between them and make sure that in all these cases the device is triggered, switching from the active to the alarm status and vice-versa; finally, that it causes the intended action in the control unit, for example that it causes the reversal of the movement during the closing manoeuvre.

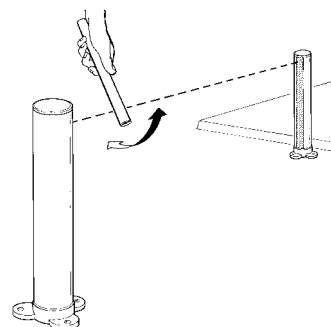


Figure 61

5 Measure the impact force according to EN 12445 standard. If "motor force" control is used to assist the system for the reduction of the impact force, try to find the adjustment that gives the best results.

### 3.7.2 Commissioning

**The commissioning operations can be performed only after all the tests have been successfully carried out. Partial commissioning or implementation of "temporary" conditions are not permitted.**

1 Prepare the technical documentation for the automation, which must include at least: assembly drawing (e.g. figure 1), wiring diagram (e.g. figure 14), analysis of hazards and solutions adopted, manufacturer's declaration of conformity of all the devices installed. For WG2 use Annexe 1 "EC Declaration of Conformity of the WG2 components".

2 Post a label on the gate providing at least the following data: type of automation, name and address of manufacturer (person responsible for the "commissioning"), serial number, year of manufacture and "CE" marking.

3 Fill out the declaration of conformity and deliver it to the owner of the automation system; for this purpose you can use Annexe 2 "EC Declaration of Conformity".

4 Prepare the operating guide and deliver it to the owner of the automation system; Annexe 3 "OPERATING GUIDE" can be used as an example.

5 Prepare the maintenance schedule and deliver it to the owner of the automation system; it must provide directions regarding the maintenance of all the automation devices.

6 Before commissioning the automation system inform the owner regarding dangers and hazards that are still existing.

## 4 Maintenance

**The maintenance operations must be performed in strict compliance with the safety directions provided in this manual and according to the applicable legislation and standards.**

The devices used for the WG2 automation system do not require any special maintenance. However, periodically make sure (at least once every six months) that all the devices are perfectly efficient. To this end, carry out all the tests and checks described in paragraph 3.7.1 "Testing"

and the operations described in paragraph 7.3.3 "Maintenance Operations to Be Performed by the User".

If other devices are present, follow the directions provided in the corresponding maintenance schedule.

### 4.1 Dismantling and Disposal

WG2 is constructed of various types of materials, some of which can be recycled (aluminium, plastic, electric cables), while others must be disposed of (electronic boards).

**WARNING: some electronic components may contain polluting substances; do not pollute the environment. Enquire about the recycling or disposal systems available for WG2 in compliance with regulations locally in force.**

1 Contact a qualified electrician regarding the disconnection of the automation system from the electric mains.

2 Disassemble all the devices and accessories, following in reverse order the procedures described in chapter 3 "Installation".

3 Remove the batteries from the radio transmitters.

4 Remove the electronic boards.

5 Sort the various electrical and recyclable materials and consign them to licensed firms for recovery and disposal.

6 Consign the remaining materials to authorized scrap collection centres.

## 5 Additional information

The following chapters describe different ways of customizing WG2 to make it suitable for specific application requirements.

### 5.1 Advanced Adjustments

#### 5.1.1 Adjusting the Parameters with the Radio Transmitter

The radio transmitter can be used to adjust certain control unit operation parameters: there are four parameters and each of them can have four different values:

1) Pause time: time during which the leaves remain open (in the automatic closing mode).

2) Pedestrian gate: pedestrian gate opening mode.

3) Motor force: maximum force beyond which the control unit recognizes an obstacle and reverses the movement.

4) "OPEN" function: sequence of movements associated to each "OPEN" command.

**Table 8**

Parameter	N°	Setting	Action: operation to be performed at point 3 in the adjustment phase
Pause time	1st	10s	Press button T1 once
	2nd	20s (*)	Press button T1 twice
	3rd	40s	Press button T1 three times
	4th	80s	Press button T1 four times
Pedestrian gate	1st	Open 1 leaf half way	Press button T2 once
	2nd	open 1 leaf all the way (*)	Press button T2 twice
	3rd	open 2 leaves 1/4 of the way	Press button T2 three times
	4th	open 2 leaves half way	Press button T2 four times
Motor force	1°	Low	Press button T3 once
	2nd	Medium-low (*)	Press button T3 twice
	3rd	Medium-high	Press button T3 three times
	4th	High	Press button T3 four times
"OPEN" function	1st	"Open"- "Stop"- "Close"- "Stop"	Press button T4 once
	2nd	"Open"- "Stop"- "Close"- "Open" (*)	Press button T4 twice
	3rd	"Open"- "Close"- "Open"- "Close"	Press button T4 three times
	4th	"Open" (opening only)	Press button T4 four times

(\*) Original factory setting

The parameter adjustment operation can be performed using any of the radio transmitters, provided they are memorized in mode 1 like the ones supplied (see paragraph 5.4.1 "Mode 1 memorization").

In the event that no transmitter memorized in Mode 1 is available, it is possible to memorize one just for this stage and delete it immediately afterwards (see paragraph 5.4.4 "Deleting a radio transmitter").

**WARNING:** when using the transmitter to make adjustments you need to give the control unit time to recognize the radio command; this means that the buttons must be pressed and released slowly, held down for at least one second, then released for one second and so on.

1 Press buttons T1 and T2 on the radio transmitter simultaneously for at least 5s.

2 Release the two buttons.

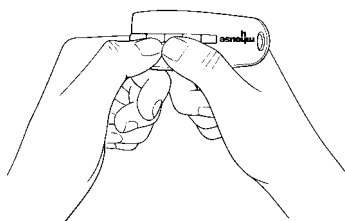


Figure 62

3 Within 3 seconds, perform the action described in Table 8 based on the parameter to be modified

**Example:** to set the pause time at 40 s.

- 1st Press buttons T1 and T2 and hold them down for at least 5s
- 2nd Release T1 and T2
- 3rd Press button T1 three times

All the parameters can be adjusted as required without any contraindication; only the adjustment of the "motor force" requires special care:

- Do not use high force values to compensate for points of abnormal friction on the gate. Excessive force can compromise the operation of the safety system or damage the leaf.
- If the "motor force" control is used to assist the impact force reduction system, measure the force again after each adjustment in compliance with EN 12445 standard.
- The weather conditions may affect the movement of the leaf, therefore periodic re-adjustments may be necessary.

## 5.1.2 Checking the Adjustments with the Radio Transmitter

With a radio transmitter memorized in mode 1, the adjustment values for each parameter can be checked at any time using the following sequence:

- 1 Press buttons T1 and T2 on the radio transmitter simultaneously for at least 5s.
- 2 Release the two buttons.
- 3 Within 3 seconds, perform the action described in Table 9 based on the parameter to be checked.
- 4 Release the button when the flashing light starts flashing.
- 5 Count the flashes and, based on their number, check the corresponding value in Table 8.

**Table 9**

Parameter	Action
Pause time	Press button T1 and hold it down
Pedestrian gate	Press button T2 and hold it down
Motor force	Press button T3 and hold it down
"OPEN" function	Press button T4 and hold it down

**Example.** If the flashing light flashes three times after you have pressed T1 and T2 for 5s and then button T1, the pause time is set at 40s.

## 5.2 Optional Accessories

In addition to the devices featured in WG2, other ones are available as optional accessories designed to enhance the automation system.

**PR1:** 24V buffer battery for supply in the event of power failure. It guarantees at last 10 complete cycles. When the system is powered by the battery, the manoeuvre takes place only in "slow" speed mode.

PT50: Pair of 500 mm posts with one photocell

PT100: Pair of 1000 mm posts with two photocells

For information on the new accessories, refer to the MHOUSE catalogue or visit the site [www.mhouse.biz](http://www.mhouse.biz).

## 5.3 Adding or Removing Devices

Devices can be added to or removed from the WG2 automation system at any time.

**Do not add any devices until you have made sure that they are perfectly compatible with WG2; for further information contact MHOUSE Customer Service.**

### 5.3.1 ECSBus

ECSBus is a system that allows you to connect the ECSBus devices using only two wires which carry both the power supply and the communication signals. All the devices are connected in parallel on the 2 wires of the ECSBus itself; each device is individually recognized because a univocal address is assigned to it during the installation.

The photocells, as well as other devices that adopt this system, can be connected to ECSBus, such as safety devices, control buttons, signalling lights etc. For information on the ECSBus devices, refer to the MHOUSE catalogue or visit the site [www.mhouse.biz](http://www.mhouse.biz).

The CL2 control unit recognizes to recognize all the connected devices individually through a suitable recognition process, and can detect all the possible abnormalities with absolute precision. For this reason, each time a device connected to ECSBus is added or removed the control unit must go through the recognition process; see paragraph 5.3.3 "Recognition of Other Devices".

### 5.3.2 STOP Input

STOP is the input that causes the immediate interruption of the manoeuvre (with a short reverse run). Devices with output featuring normally open "NO" contacts (like the KS1 selector switch) and devices with normally closed "NC" contacts, as well as devices with 8.2K $\Omega$  constant resistance output, like sensitive edges, can be connected to this input.

Multiple devices, even of different type, can be connected to the STOP input if suitable arrangements are made.

To do this, proceed as described in the following table:

**Table 10**

		1st device type:		
		NO	NC	8,2k $\Omega$
2nd device type	NO	In parallel (note 2)	(note 1)	In parallel
	NC	(note 1)	In series (note 3)	In series
	8,2k $\Omega$	In parallel	In series	in parallel (note 4)

Note 1. The NO and NC combination can be obtained by placing the two contacts in parallel, and placing in series to the NC contact an 8.2K $\Omega$  resistance (therefore, the combination of 3 devices is also possible: NO, NC and 8.2K $\Omega$ ).

Note 2. Any number of NO devices can be connected to each other in parallel.

Note 3. Any number of NC devices can be connected to each other in series.

Note 4. Only two devices with 8.2K $\Omega$  constant resistance output can be connected in parallel; if needed, multiple devices must be connected "in cascade" with a single 8.2K $\Omega$  termination resistance.

**Warning: if the STOP input is used to connect devices with safety functions, only the devices with 8.2K $\Omega$  constant resistance output guarantee the fail-safe category 3.**

During the recognition stage the control unit, like ECSBus, recognizes the type of device connected to the STOP input; subsequently it commands a STOP whenever a change occurs in the learned status.

### 5.3.3 Recognition of Other Devices

Normally the recognition of the devices connected to the ECSBus and the STOP input takes place during the installation stage. However, if new devices are added or old ones removed, the learning process can be gone through again by proceeding as follows:

1 On the control unit, press the P2 [B] button and hold it down for at least three seconds, then release it.

2 Wait a few seconds for the control unit to finish recognizing the devices.

3 When the recognition stage is completed the P2 LED [A] should go off. If the P2 LED flashes it means that something is wrong; see paragraph 5.5 "Troubleshooting".

4 After you have added or removed any devices, the automation system must be tested again according to the directions contained in paragraph 3.7.1 "Testing".

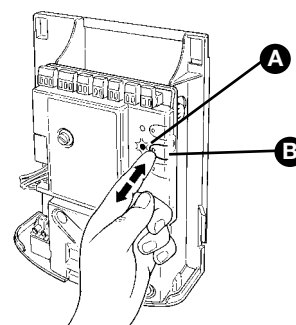


Figure 63

### 5.3.4 Addition of Optional Photocells

Additional photocells can be installed at any time on top of those supplied with WG2. In an automation system for 2-leaf gates these can be arranged as shown in Figure 64.

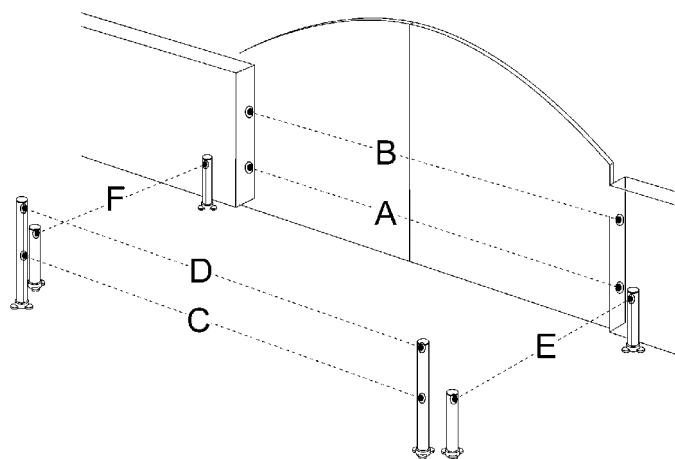


Figure 64

Table 11

Photocell	Jumpers	Photocell	Jumpers
<b>A</b> Photocell h=50cm; activated when gate closes		<b>D</b> Photocell h=100cm; activated when gate opens or closes	
<b>B</b> Photocell h=100cm; activated when gate closes		<b>E</b> Photocell to the right activated when gate opens	
<b>C</b> Photocell h=50cm; activated when gate opens or closes		<b>F</b> Photocell to the left activated when gate opens	

To ensure the correct recognition of the photocells by the control unit, the former must be assigned addresses by means of jumpers. The address allocation procedure must be performed on TX as well as RX (arranging the jumpers in the same manner), but you must make sure that there are no other pairs of photocells having the same address.

The photocells need to be assigned addresses to make sure that they are correctly recognized among the other ECSBus devices, and in order to assign the performed function.

1 Open the shell of the photocell.

2 Identify the position where they are installed based on figure 64 and connect with jumper according to Table 11.

The unused jumpers must be stored in their proper compartment for future use (Figure 65).

3 Perform the recognition stage as explained in paragraph 5.3.3 "Recognition of other devices".

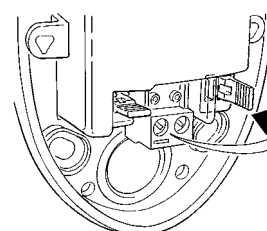


Figure 65

## 5.4 Memorization of Radio Transmitters

The CL2 control unit contains a radio receiver for TX4 transmitters; those included in the package are pre-memorized and operative.

If you wish to memorize a new radio transmitter you have two choices:

- Mode 1: in this "mode" the radio transmitter is used to its fullest extent, i.e. all the buttons execute a pre-established command (the transmitters supplied with WG2 are memorized in Mode 1). It is obvious that in Mode 1 a radio transmitter can be used to command a single automation, i.e.:

T1 button	"OPEN" command
T2 button	"Pedestrian gate" command
T3 button	"Open only" command
T4 button	"Close only" command

- Mode 2: one of the four commands available can be associated to each button. This mode, used properly, allows you to command 2 or more different automations; for example:

T1 button	"Open only" command	
Tasto T2	"Close only" command	
Tasto T3	"OPEN" command	
Tasto T4	"OPEN" command	

Each transmitter is, of course, a separate unit, and while some are memorized in mode 1 others can be memorized in mode 2 on the control unit.

The overall memory capacity is 150 units; memorization in mode 1 takes up one unit for each transmitter while mode 2 takes up one unit for each button.

**Warning: since the memorization procedures are timed (10s), you must read the instructions in the following paragraph before you proceed with their execution.**



### 5.4.1 Memorization Mode 1

1 Press button P1 [B] for at least 3 s.. When the P1 LED [A] goes off, release the button.

2 Within 10s, press any button on the radio transmitter to be memorized and hold it down for at least 3s.

If the memorization procedure is successful, the "P1" LED will flash 3 times.

3 If there are other transmitters to be memorized, repeat step 2 within the next 10s, otherwise the memorization stage will terminate automatically.

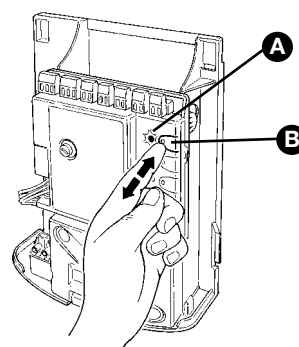


Figure 66

### 5.4.2 Memorization Mode 2

With the memorization in mode 2 of the radio transmitter, any one of the four commands ("OPEN", "Open partially", "Open only" and "Close only") can be associated to each button.

In Mode 2 each button requires a separate memorization stage.

1 Delete the remote control system by following procedure "5.4.4 Deleting a radio transmitter."

2 Press button P1 (figure 66) on the control unit as many times as the number corresponding to the desired command, according to the following table: (e.g. 3 times for the "Open only" command).

1 time	"OPEN" command
2 times	"Pedestrian gate" command
3 times	"Open only" command
4 times	"Close only" command

3 Make sure that the P1 LED makes as many quick flashes as the number corresponding to the selected command.

4 Within 10 s, press the desired button on the radio transmitter to be memorized, and hold it down for at least 2 s.

If the memorization procedure is successful, the "P1" LED will flash 3 times slowly.

5 If there are other transmitters to be memorized for the same type of command, repeat step 3 within the next 10s, otherwise the memorization stage will terminate automatically.

### 5.4.3 "Remote" Memorization

A new radio transmitter can be memorized in the control unit without directly operating the buttons on it. You need to have an "OLD" pre-memorized operational radio transmitter. The "NEW" radio transmitter to be memorized will inherit the characteristics of the OLD one, i.e. if the OLD radio transmitter was memorized in Mode 1, the NEW one will also be memorized in Mode 1. In this case, during the memorization stage you can press any key on the two transmitters. If, on the other hand, the OLD transmitter was memorized in Mode 2 you must press the button on the OLD transmitter which corresponds to the desired command, and the button on the NEW transmitter to which you wish to associate that command.

Holding the two transmitters, position yourself within the operating range of the automation and perform the following operations:

1 Press the button on the NEW radio transmitter and hold it down for at least 5s, then release it.

2 Press the button on the OLD radio transmitter 3 times slowly.

3 Press the button on the NEW radio transmitter once slowly.

At this point the NEW radio transmitter will be recognized by the control unit and will assume the characteristics of the OLD one.

If there are other transmitters to be memorized, repeat all the steps above for each new transmitter.

## 5.4.4 Deleting a Radio Transmitter

If a radio transmitter is available, this operation allows you to delete it.

If the transmitter is memorized in Mode 1, a single deletion stage is sufficient: just press any button at point 3. If the transmitter is memorized in Mode 2, one deletion stage is needed for each memorized button.

1 Press and hold down button P1 [B] (Figure 67) on the control unit.

2 Wait until the P1 LED [A] lights up, then, within three seconds:

3 Press and hold down for at least three seconds the button of the radio transmitter to be deleted. If the radio transmitter has been deleted, the P1 LED will flash quickly five times. If the LED flashes slowly just once, it means that the deletion has not taken place because the transmitter is not memorized

4 If there are more transmitters to be deleted, repeat step 3 within ten seconds while pressing button P1, otherwise the deletion stage will terminate automatically.

## 5.4.5 Deleting all the Radio Transmitters

With this operation all the memorized transmitters are deleted.

1 Press the P1 button [B] on the control unit and hold it down.

2 Wait until the P1 LED [A] lights up, then wait until it goes off, than wait until it has flashed 3 times.

3 Release the P1 button precisely upon the third flash.

4 Wait approximately 4s for the deletion process to be completed; during this time the LED will flash very quickly.

If the procedure is successful, after a few moments the "P1" LED will flash slowly 5 times.

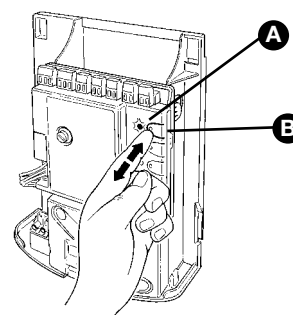


Figure 67

## 5.5 Troubleshooting

The following table contains instructions to help you solve malfunctions or errors that may occur during the installation stage or in case of failure.

**Table 12**

Symptoms	Probable cause and possible solution
The radio transmitter does not emit any signal (the LED [A] does not light up)	<ul style="list-style-type: none"> <li>• Check to see if the batteries are exhausted, if necessary replace them (page 34)</li> </ul>
The manoeuvre does not start and the "ECSBus" LED [B] does not flash	<ul style="list-style-type: none"> <li>• Make sure that the power cord is properly plugged into the mains outlet</li> <li>• Check to see if the fuses [E] or [F] are blown; if necessary, identify the reason for the failure and then replace the fuses with others having the same current rating and characteristics..</li> </ul>
The manoeuvre does not start and the flashing light is off	<ul style="list-style-type: none"> <li>• Make sure that the command is actually received. If the command reaches the OPEN input, the corresponding "OPEN" LED [D] must light up; if you are using the radio transmitter, the "ECSBus" LED must make two long flashes.</li> </ul>
The manoeuvre does not start and the flashing light flashes a few times	<ul style="list-style-type: none"> <li>• Make sure that the STOP input is active, i.e. that the "STOP" LED [C] comes on. If this does not happen, check the devices connected to the STOP input.</li> <li>• The photocell test which is performed at the starting of each manoeuvre is not successful; check the photocells, also according to Table 13 on page 24.</li> </ul>
The manoeuvre starts but it is immediately followed by a reverse run	<ul style="list-style-type: none"> <li>• The selected force is too low to move the leaves. Check to see whether there are any obstacles; if necessary increase the force as described on page 19.</li> </ul>
The manoeuvre is carried out but the flashing light does not work	<ul style="list-style-type: none"> <li>• Make sure that there is voltage on the flashing light's FLASH terminal during the manoeuvre (being intermittent, the voltage value is not important: approximately 10-30Vac); if there is voltage, the problem is due to the lamp; in this case replace the lamp with one having the same characteristics.</li> </ul>

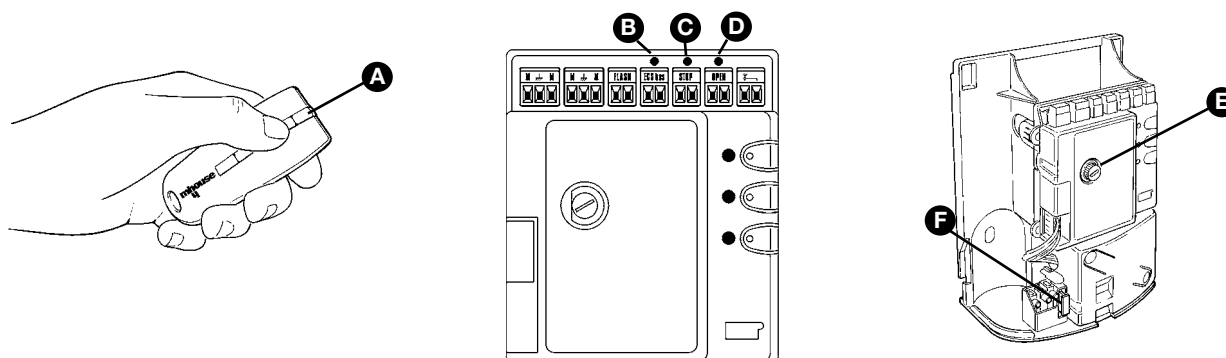


Figure 68

## 5.6 Diagnostics and Signals

A few devices issue special signals that allow you to recognize the operating status or possible malfunctions.

### 5.6.1 Photocells

The photocells are equipped with a "SAFE" LED [A] that allows you to check the operating status at any time.

**Table 13**

"SAFE" LED	Status	Action
Off	The photocell is not powered or is faulty	Make sure that there is voltage (approx. 8-12 Vdc) on the photocell's terminals; if the voltage is correct, the photocell is probably faulty.
3 quick flashes and a second's pause	Device not recognized by the control unit	Repeat the recognition procedure on the control unit. Make sure that all the photocell pairs on ECSBus have different addresses (see Table 11 on page 21)
1 very slow flash	The RX receives a perfect signal	Normal operation
1 slow flash	The RX receives a fair signal	Normal operation
1 quick flash	The RX receives a poor signal	Normal operation but you should check the TX-RX alignment and make sure the glasses are clean
1 very quick flash	The RX receives a very poor signal	It is at the limit of normal operation, you should check the TX-RX alignment and make sure the glasses are clean
Always on	The RX does not receive any signal	Check to see if there is an obstacle between TX and RX. Make sure that the LED on TX flashes once slowly. Check the TX-RX alignment

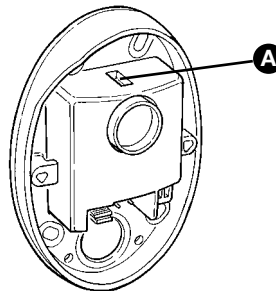


Figure 69

### 5.6.2 Flashing light

During the manoeuvre the flashing light flashes once every second. When something is wrong the flashes are more frequent (half a second); the light flashes twice with a second's pause between flashes.

**Table 14**

Quick flashes	Status	Action
1 flash 1 second's pause 1 flash	ECSBus error	At the starting of the manoeuvre, the devices present do not correspond to those recognized; check and if necessary try repeating the recognition process. (see 5.3.3 "Recognition of Other Devices"). One or more devices may be faulty; check and, if necessary, replace them.
2 flash 1 second's pause 2 flashes	Triggering of a photocell	At the starting of the manoeuvre, one or more photocells do not enable it; check to see if there are any obstacles. If there is an obstacle impeding the movement no action is required.
3 flash 1 second's pause 3 flashes	Cutting in of the "motor force" limiting device	During the movement, the leaf experienced excessive friction; identify the cause
4 flash 1 second's pause 4 flashes	Cutting in of the STOP input	During the movement the STOP input was activated; identify the cause



### 5.6.3 Control Unit

On the control unit there is a set of LED's each of which can give special indications both during normal operation and in case of malfunctions.

Table 15		
ECSBus LED [A]	Status	Action
Off	Malfunction	Make sure there is power supply; check to see if there are blown fuses; identify the cause of the malfunction and then replace blown fuses with others having the same characteristics
On	Serious malfunction	There is a serious malfunction; try switching off the control unit for a few seconds; if the condition persists it means there is a malfunction and the electronic board has to be replaced
One flash every second	Everything OK	Normal operation of control unit
2 long flashes	The status of the inputs has changed	This is normal when there is a change in one of the inputs: OPEN, STOP, triggering of photocells or the radio transmitter is used
Series of flashes separated by a pause	It corresponds to the flashing light's signal. See Table 14	
Quick flash	Short circuit on ECSBus	An overload has been detected and therefore the power supply to the ECSbus has been interrupted. Check by disconnecting the devices one by one, if necessary. To restore the power supply to the ECSBus just give the command using the radio transmitter, for example.
STOP LED [B]	Status	Action
Off	Cutting in of the STOP input	Check the devices connected to the STOP input
On	Everything OK	STOP input active
OPEN LED [C]	Status	Action
Off	Everything OK	OPEN input not active
On	Cuttin in of the OPEN input	This is normal only if the device connected to the OPEN input is actually active
P1 LED [D]	Status	Action
Off	Everything OK	No memorization in progress
On	Memorization in Mode 1	This is normal during memorization in Mode 1 which lasts maximum 10s
Series of quick flashes, from 1 to 4	Memorization in Mode 2	This is normal during memorization in Mode 2 which lasts maximum 10s
5 quick flashes	Deletion OK	Deletion of one transmitter successful.
1 slow flash	Wrong command	A command from a non-memorized transmitter has been received
3 slow flashes	Memorization OK	Memorization process successful.
5 slow flashes	Deletion OK	Deletion of all transmitters successful.
P2 LED [E]	Status	Action
Off	Everything OK	"Slow" speed selected
On	Everything OK	"Fast" speed selected
1 flash every second	No device has been memorized or an error has occurred during the recognition process	There may be faulty devices; check and, if necessary, try repeating the recognition process (see paragraph 3.5.1 "Learning of Connected Devices")
2 flashes per second	Device recognition stage in progress	It indicates that the search for the connected devices is under way (this stage lasts a few seconds at the most)
P3 LED [F]	Status	Action
Off	Everything OK	Single cyclic operation
On	Everything OK	Complete cyclic operation
1 flash every second	No opening angle has been memorized	Carry out the recognition stage (see paragraph "3.5.2 recognition of Leaves' Opening and Closing Angles")
2 flashes every second	Recognition of opening angles in progress	It indicates that the recognition of the opening angles is under way

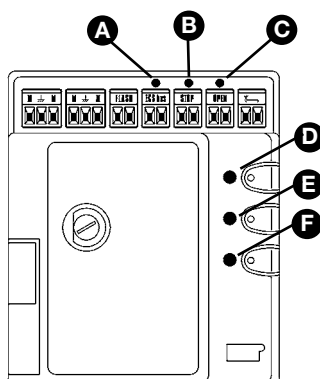


Figure 70

## 6 Technical characteristics

WG2 is produced by NICE S.p.a. (TV) I, MHOUSE S.r.l. is an affiliate of the Nice S.p.a group.

Nice S.p.a., in order to improve its products, reserves the right to modify their technical characteristics at any time without prior notice. In any case, the manufacturer guarantees their functionality and fitness for the intended purposes.

Note: all characteristics refer to a temperature of 20°C.

<b>WG1 gearmotor for swing-leaf gate</b>	
Type	Electromechanical gearmotor for automated gates and doors
Adopted technology	24Vdc motor, helical teeth reduction gear; mechanical release
Peak thrust	1400N
Nominal thrust	800N
Idling speed	16 mm/s in "slow" speed mode; 22 mm/s in "fast" speed mode
Nominal torque speed	9 mm/s in "slow" speed mode; 12 mm/s in "fast" speed mode
Stroke	330 mm
Maximum frequency of cycles	50 complete cycles per day (the CL2 control unit allows up to a maximum of 10 cycles per hour)
Maximum continuous cycle time	approx. 18 minutes
Working limits	Its structural characteristics make it suitable for use on gates weighing up to 250Kg or leaves up to 2 m wide and with opening angle up to 130°
Power supply	24Vdc for "slow" speed and 36V dc for "fast" speed
Nominal input power	2A; the peak current is 3.6A for maximum 3s; equivalent to a peak power of 50W (*70W) and 90W(*130W). (* "fast" speed values)
Operating ambient temperature	-20 ÷50°C (the efficiency of the gearmotor decreases at low temperatures)
Suitable for use in acid, saline or potentially explosive atmosphere	No
Mounting	Horizontal using the special mounting brackets.
Protection class	IP54
Dimensions / weight	729 x 85 h 100/ 6kg

<b>PH1 Photocells</b>	
Type	Presence detector for automated gates and doors (type D according to EN 12453 standard) consisting of a "TX" transmitter and an "RX" receiver
Adopted technology	Optical, by means of direct TX-RX interpolation with modulated infrared ray
Detection capacity	Opaque objects located on the optical axis between TX and RX, larger than 50mm and moving slower than 1.6m/s
TX transmission angle	Approx. 20°
RX reception angle	Approx. 20°
Useful capacity	Up to 10m for maximum TX-RX misalignment of ± 5° (the device can signal an obstacle even in the case of adverse weather conditions)
Power supply/output	The device can be connected only to "ECSBus" networks from which it receives the power supply and sends the output signals.
Absorbed power	1 ECSBus unit
Maximum cable length	Up to 20 m (observe the directions regarding the minimum gauge and type of cable)
Addressing possibility	Up to 7 detectors with protection function and 2 with opening command function. The automatic synchronism prevents any interference among the various detectors
Operating ambient temperature	-20 ÷50°C
Suitable for use in acid, saline or potentially explosive atmosphere	No
Mounting	Vertical, wall-mounted
Protection class	IP55
Dimensions / weight (TX and RX)	95 x 65 h 25mm / 65g

**CL2 Control Unit**

Type	Control unit for 1 or 2 24Vdc motors for gate or door automation, equipped with radio receiver for "TX4" transmitters.
Adopted technology	Electronic board governed by 8-Bit microcontroller in flash technology. A transformer located in the control unit but separated from the board reduces the mains voltage to the 24V rating used throughout the automation system
Maximum frequency of cycles	50 complete cycles per day. The control unit allows up to a maximum of 10 cycles per hour
Mains power supply	230Vac (+10% -15%) 50/60Hz
Rated absorbed power	100 VA; peak power is 250 VA for maximum 3s
Emergency power supply	Designed to accommodate "PR1" buffer batteries
Motor outputs	2, for 24Vdc motors with 2A rated current, maximum peak current is 3.6A for maximum 3s (with "fast" speed the motors' output voltage is 36Vdc)
Flashing light output	For visual signalling devices with 12V lamp, maximum 21W
ECSBus output	One output with a maximum load of 15 ECSBus units
"OPEN" input	For normally open contacts (the closing of the contact causes the "OPEN" command)
"STOP" input	For normally open contacts and/or for 8.2Kohm constant resistance, or normally closed contacts with recognition of the "normal" status (any variation from the memorized status causes the "STOP" command)
Radio aerial input	52 ohm for RG58 or similar type of cable
Maximum cable length	Mains power supply: 30m; motor outputs: 10m; other inputs/outputs: 20m with aerial cable preferably shorter than 5m (observe the directions regarding the minimum gauge and type of cable)
Operating ambient temperature	-20 ÷ 50°C
Suitable for use in acid, saline or potentially explosive atmosphere	No
Mounting	Vertical, wall mounted
Protection class	IP55
Dimensions / weight	180 x 240 h 110mm / 2680 g
Remote control possibility	With "TX4" transmitters the control unit can receive one or more of the following commands: "OPEN", "Open partially", "Open only" and "Close only"
TX4 transmitters memorized	Up to 150 if memorized in mode 1
Range of TX4 transmitters	from 50 to 100m. The range can vary if there are obstacles or electromagnetic disturbances, and is affected by the position of the receiving aerial incorporated in the flashing light
Programmable Functions	"Cycle" or "Complete cycle" operation (automatic closing) "Slow" or "fast" motor speed The pause time in the "complete cycle" mode can be set at 10, 20, 40, 80 seconds The type of pedestrian opening can be selected from 4 modes The sensitivity of the obstacle detection system can be selected from 4 levels The operation of the "Open" command can be selected from 4 modes
Self-programmed functions	Automatic detection of devices connected to the ECSBus output Automatic detection of the type of "STOP" device (NO or NC contact or 8.2KΩ constant resistance) Automatic detection of the manoeuvring length for each motor Automatic detection of automation with 1 or 2 motors

**KS1 Key-Operated Selector Switch**

Type	Key-operated double switch suitable for control of automatic gates and doors. Illuminated for night operation.
Adopted technology	Activation protected by a lock, the insertion and clockwise turning of the key causes the closing of a contact, the counter-clockwise turning of the key causes the closing of the second contact; spring-loaded for return of key to the middle position.
Tamper-proof	The selector switch can be opened to access the connections only by inserting the key and turning it in either direction
Security lock	Key with 450 different key numbers
Power supply/contacts	The device can only be connected to the "OPEN" and "STOP" terminals on the MHOUSE gate automation control units, to which it sends the control signals and by which it is energized for night illumination
Operating ambient temperature	-20 ÷ 50°C
Suitable for use in acid, saline or potentially explosive atmosphere	No
Mounting	Vertical, wall mounted
Protection class	IP44
Dimensions / weight	95 x 65 h 36mm / 135g

### FL1 Flashing light

Type	Flashing signalling light for automatic gates and doors. The device incorporates a receiving aerial for remote control
Adopted technology	Visual signalling device with 12V 21W lamp, controlled by MHOUSE automation control units
Lamp	12V 21W BA15 socket (automotive type lamp)
Power supply	The device can be connected only to the "FLASH" and "AERIAL" terminals on the MHOUSE automatic gate control units
Operating ambient temperature	-20 ÷ 50°C
Not suitable for use in acid, saline or potentially explosive atmosphere	No
Mounting	Horizontal surface-mounted or vertical wall-mounted
Protection class	IP55
Dimensions / weight	120 x 60 h 170mm / 285g

### TX4 transmitters

Type	Radio transmitters for remote control of automatic gates and doors
Adopted technology	AM OOK coded modulation of radio carrier
Frequency	433.92 Mhz
Coding	Rolling code with 64 Bit code (18 billion million combinations)
Buttons	4, each button can be used for the different controls of the same control unit or to control different control units.
Irradiated power	approx. 0.0001W
Power supply	6V +20% -40% with two CR2016 type lithium batteries
Battery life	3 years, estimated on the basis of 10 commands/day, each lasting 1s at 20°C (at low temperatures the efficiency of the batteries decreases)
Operating ambient temperature	-20 ÷ 50°C
Not suitable for use in acid, saline or potentially explosive atmosphere	No
Protection class	IP40 (suitable for use indoors or in protected environments)
Dimensions / weight	72 x 31 h 11mm / 18g

## 7 Annexes

The following annexes are designed to help you prepare the technical documentation.

### 7.1 Annexe 1: CE Declaration of Conformity of WG2 Components

CE Declaration of Conformity of WG2 components; this statement must be attached to the technical documentation.

### 7.2 Annexe 2: CE Declaration of Conformity of Power Operated Gate

CE Declaration of Conformity to be filled in and delivered to the owner of the power operated gate.

### 7.3 Annexe 3: Operating Guide

Brief guide to be used as an example for drafting the operating guide to be delivered to the owner of the power operated gate.

# Declaration of conformity

according to Directive 98/37/EC, Annexe II, part B (CE declaration of conformity by manufacturer)  
WG2 is produced by NICE S.p.a. (TV) I, MHOUSE S.r.l. is an affiliate of the Nice S.p.a group.

Number: 158/WG2/GB

Date: 15/10/2002

Revision: 00

The undersigned: Lauro Buoro declares that the following products

Manufacturer's name: NICE S.p.a.  
Address: Via Pezza Alta 13, 31046 Z.I. Rustignè - ODERZO - ITALY  
Model: WG1; CL2; PH1; KS1; FL1; TX4

Comply with the essential provisions of the following European Directives:

Reference	Heading
98/37/EC (EX 89/392/EEC)	DIRECTIVE 98/37/EC OF THE EUROPEAN PARLIAMENT AND OF THE COUNCIL of June 22, 1998, for the harmonisation of the legislations of member States regarding machines
73/23/EEC	DIRECTIVE 73/23/EEC OF THE COUNCIL of February 19, 1973 for the harmonisation of the legislations of member States regarding electrical equipment designed to be used within certain voltage limits
89/336/EEC	DIRECTIVE 89/336/EEC OF THE COUNCIL of May 3, 1989, for the harmonisation of the legislations of member States regarding electromagnetic compatibility
1999/5/EC	DIRECTIVE 1999/5/EC OF THE EUROPEAN PARLIAMENT AND OF THE COUNCIL of March 9, 1999 concerning radio equipment and telecommunications terminal equipment and mutual recognition of their conformity

Comply with the following Standards:

Reference	Issue date	Heading
EN 12445	11/2000	Industrial, commercial and garage doors and gates - Safety in use of power operated doors - Test methods
EN 12453	11/2000	Industrial, commercial and garage doors and gates - Safety in use of power operated doors - Requirements
ETSI EN301489-3	8/2002	Electromagnetic compatibility and Radio spectrum Matters (ERM); ElectroMagnetic Compatibility (EMC) standard for radio equipment and services; Part 3: Specific conditions for Short-Range Devices (SRD) operating on frequencies between 9 kHz and 40 GHz
EN300220-3	2000	Electromagnetic compatibility and Radio spectrum Matters (ERM); Short Range Devices (SRD); Radio equipment to be used in the 25 MHz to 1 000 MHz frequency range with power levels ranging up to 500 mW; Part 3: Harmonized EN covering essential requirements under article 3.2 of the R&TTE Directive
EN60950	10/2001	Information technology equipment - Safety

The undersigned declares moreover that the components described above may not be put into service before the machine in which they are incorporated has been identified and declared to comply with the provisions of Directive 98/37/EC

ODERZO, 15/10/2002

Lauro Buoro  
(Managing Director)





# Declaration of conformity

According to Directive 98/37/EC, ANNEXE II, part A (CE declaration of conformity for machines)

The undersigned / Company

---

*(name or business name of person who has put the power operated gate into service )*

---

*(address)*

Declares under his/her sole responsibility that:

The automation : power operated gate with swing leaves

Serial number : \_\_\_\_\_

Year of manufacture : \_\_\_\_\_

Location (address) : \_\_\_\_\_

**Satisfies the essential requirements of the following Directives:**

98/37/EC	Machine Directive
89/336/EEC	Electromagnetic Compatibility Directive
73/23/EEC	Low Voltage Directive
99/5/EC	"R&TTE" Directive

and the provisions of the following harmonised standards:

EN 12445	"Industrial, commercial and garage doors and gates. Safety in use of power operated doors - Test methods"
EN 12453	"Industrial, commercial and garage doors and gates. Safety in use of power operated doors - Requirements"

Name \_\_\_\_\_ Signature \_\_\_\_\_

Date \_\_\_\_\_ Location \_\_\_\_\_







## 7.3 Annexe 3: Operating Guide

This guide should be stored in an accessible location and made available to all users of the automation.

### 7.3.1 Safety regulations

- **Keep at a safe distance while the gate is moving; do not pass through until the gate has opened all the way and the leaves have stopped moving.**
- **Do not allow children to play near the gate or with its controls.**
- **Stop using the automation system immediately if you notice anything abnormal (strange noise or jerky movements); failure to observe this warning may result in serious danger and accidents.**
- **Do not touch any components while they are moving.**
- **Have periodic checks made according to the instructions provided in the maintenance schedule.**
- **Maintenance operations and repairs can only be performed by qualified technicians.**

### 7.3.2 Gate Control

#### With radio transmitter

The radio transmitter is ready for use and the four buttons have the following functions:

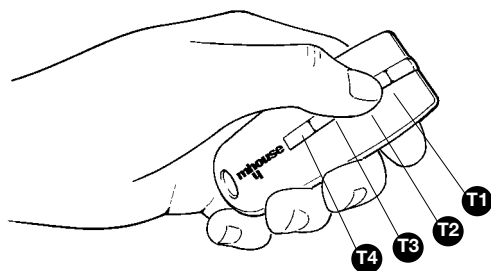


Figure 71

FUNCTION (*)	
T1 button	
T2 button	
T3 button	
T4 button	

(\*) This table must be prepared by the person who has programmed the system:

#### With selector switch

The selector switch has two positions, with automatic return to the centre.

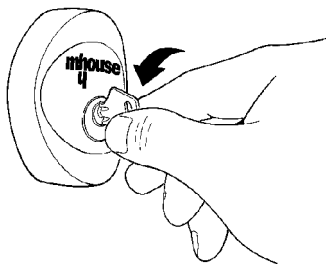


Figure 72

ACTION	FUNCTION
Rotated to the right: "OPEN"	(*)
Rotated to the left: "STOP"	It stops the movement of the gate

(\*) This item must be drafted by the person who has programmed the system:.

#### Control with safety devices out of order

If the safety devices are out of order or malfunctioning, it is still possible to control the gate.

1 Operate the gate control device (remote control or key-operated selector switch). If the safety devices enable the operation, the gate will open normally, otherwise:

2 The flashing light flashes a few times but the manoeuvre does not start (the number of flashes depends on the reason why the manoeuvre is not enabled).

3 In this case, actuate the control again within 3 seconds and keep it actuated.

4 After approximately 2s the gate will start moving in the "man present" mode, i.e. so long as the control is maintained the gate will keep moving; as soon as the control is released the gate will stop.

If the safety devices are out of order the automation must be repaired as soon as possible.

## Gearmotor release

The gearmotor is equipped with a mechanical system which allows the gate to be opened and closed manually (i.e. as if WG2 were not present).

The manual operation must be resorted to in case of power failures or system malfunctions. If a power failure occurs, the buffer battery can be used (PR1 optional accessory).

If there is a malfunction of the gearmotor it is still possible to try and release the motor in order to check whether the problem is connected with the release mechanism.

1 Turn the release mechanism cover clockwise until the hole matches the release pin.

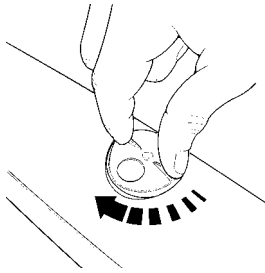


Figure 73

2 Insert the key in the pin.

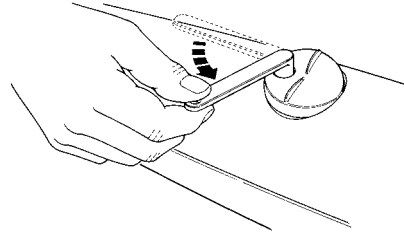


Figure 74

3 Turn the key anti-clockwise.

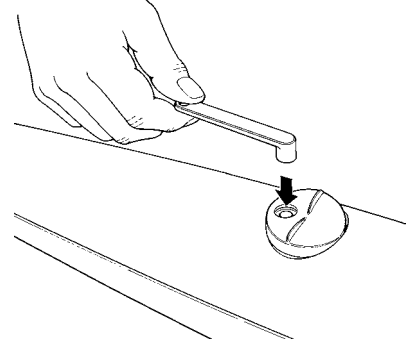


Figure 75

4 At this point, the gate leaf can be moved manually.

5 To restore the functionality of the automation system, rotate the lever clockwise while simultaneously moving the leaf until it is caught by the mechanism.

6 Remove the key and close the cover by turning it anti-clockwise.

## 7.3.3 Maintenance Operations to Be Performed by the User

The only maintenance operations that the user can and must perform periodically concern the cleaning of the photocell glasses and the removal of leaves and debris that may impede the automation.

- **Use a slightly damp cloth (not wet) to clean the surface of the devices. Do not use any substances containing alcohol, benzene, diluents or other flammable substances. The use of these substances could damage the devices, start fires or generate electric shocks.**

- **Disconnect the power supply to the automation before you proceed to remove leaves and debris, to prevent anyone from activating the gate.**

## 7.3.4 Replacing the Remote Control Battery

If the range of the remote control is significantly diminished and the light emitted by the LED is feeble, the remote control battery is probably exhausted. The remote control houses two CR2016 type lithium batteries. To replace them proceed as follows:

1 Open the bottom by pulling it.

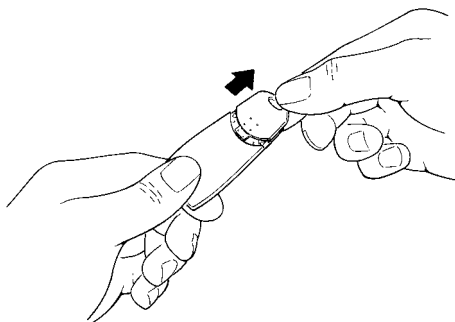


Figure 76

2 Insert a small pointed tool in the slit and prise the batteries out.

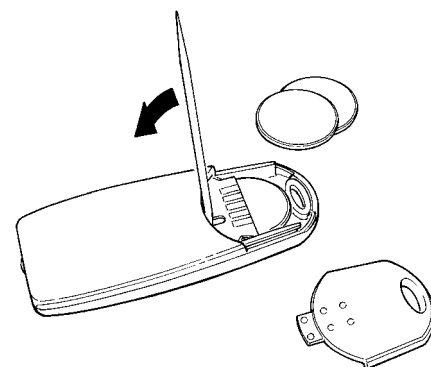


Figure 77

3 Insert the new battery, observing the polarity (the "+" symbol towards the bottom).

4 Close the bottom until it clicks.

**The batteries contain polluting substances: do not dispose of them together with other waste but use the methods established by local regulations.**



**Mhouse**

Via Pezza Alta, 13 - Z.I. Rustignè  
31046 Oderzo TV Italia  
Tel. +39 0422 20 21 09  
Fax +39 0422 85 25 82  
info@mhouse.biz  
[www.mhouse.biz](http://www.mhouse.biz)

